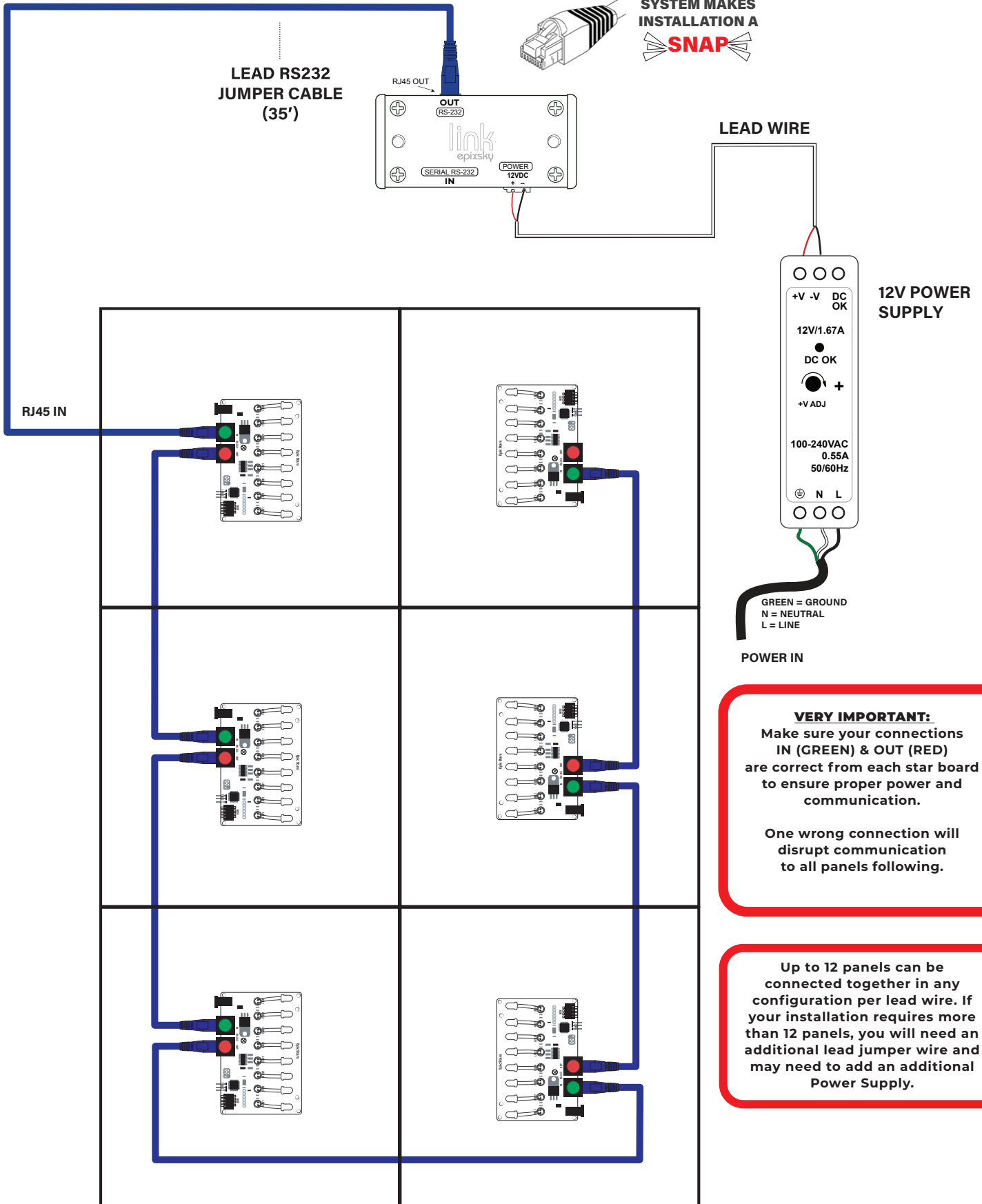


WIRING DIAGRAM STAR PANELS

PLUG AND PLAY SYSTEM WITH POWER SUPPLY AND LINK

OUR EASY
PLUG & PLAY
SYSTEM MAKES
INSTALLATION A
SNAP



VERY IMPORTANT:
Make sure your connections
IN (GREEN) & OUT (RED)
are correct from each star board
to ensure proper power and
communication.

One wrong connection will
disrupt communication
to all panels following.

Up to 12 panels can be
connected together in any
configuration per lead wire. If
your installation requires more
than 12 panels, you will need an
additional lead jumper wire and
may need to add an additional
Power Supply.

DIAGRAM ABOVE IS AN EXAMPLE WIRING DIAGRAM FOR A BASIC STAR PANEL CONFIGURATION. ELEMENTS SHOWN ARE NOT TO SCALE.