



DROP-IN-STAR PANEL INSTALLATION MANUAL

V-6-21

Congratulations on your purchase of your new star panel system!

Epic Sky is the **ORIGINAL MANUFACTURER** of the most advanced LED star ceiling technology on the market today!



PACKAGE CONTENTS

In this kit you will find the following:

- Acoustical fiber optic panels
- Epic Link
- RJ45 Quick Connect Cables
- 12V Power Supply
- Advanced Pro Controller (optional)*
- Epic Wifi (optional)*

Some jobs that require color control (eg, cove lighting), remote controlling will require an Advanced and/or Epic WiFi controller.

Note: Sometimes there will be more than one lead wire and sometimes the wire(s) will already be attached to the power supply.

WHAT YOU WILL NEED

For a smooth installation we highly recommend the following:

- Painters tape or a light adhesive masking tape
- Sharp X-acto Knife or box cutter
- 3M Adhesive spray
- Ladder
- A work buddy

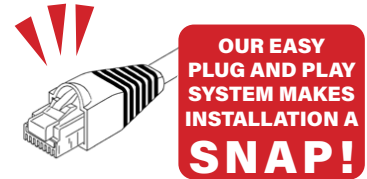
POWER SPECIFICATIONS

Power Supply:	Number of Panels
• 20W	10 Panels
• 40W	18 Panels
• 60W	24 Panels

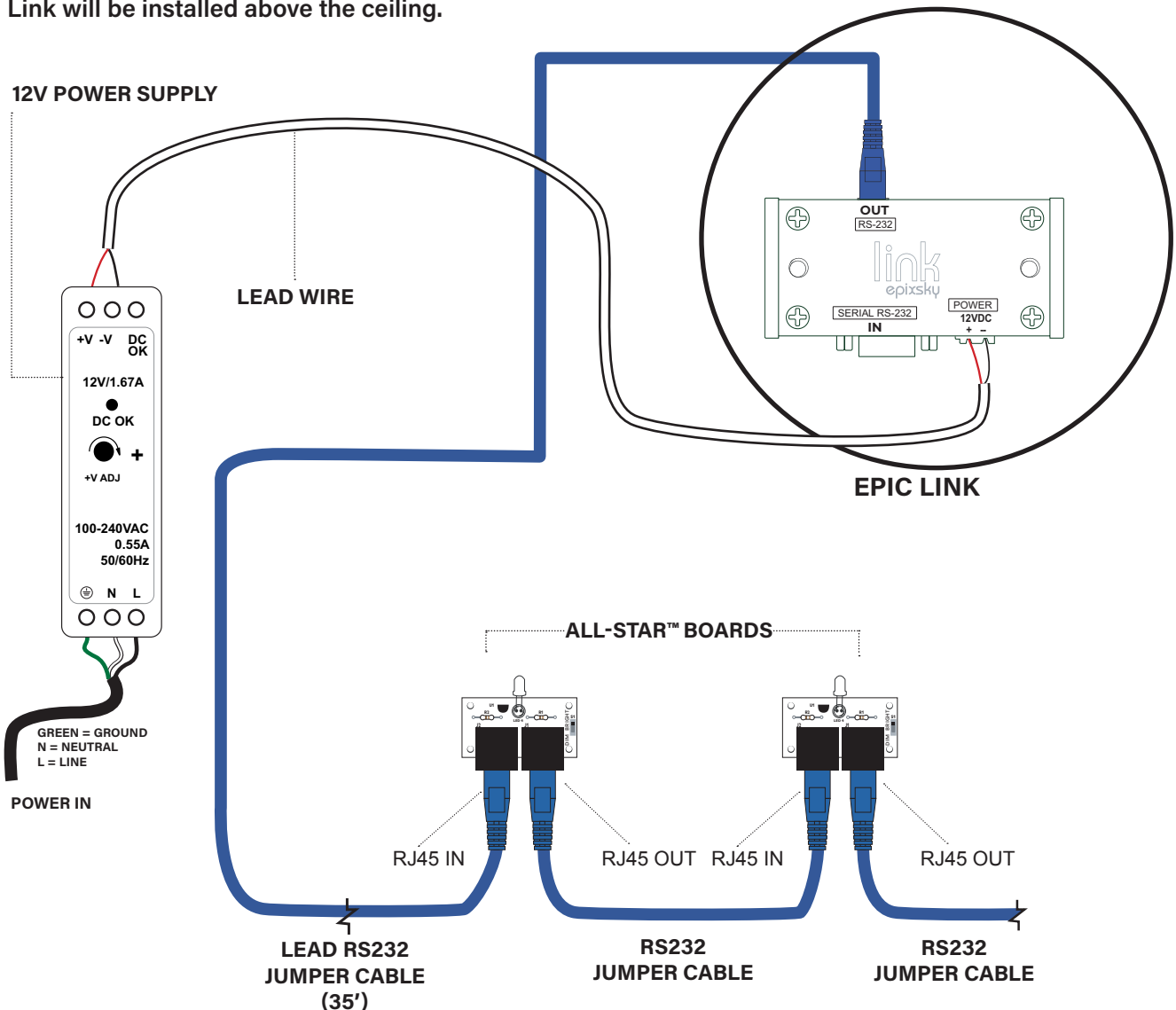
Power Supply:	Number of Panels
• 100W	40 Panels
• 150W	60 Panels
• 300W	120 Panels

Note: If you have more than 120 panels, please contact our customer service department.
! WEAR LATEX GLOVES TO KEEP PANELS CLEAN WHILE HANDLING!

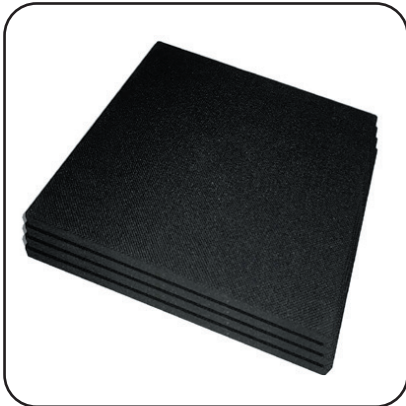
PLUG AND PLAY COMPONENTS



▶ Leave the lead wire from the EPIC LINK hanging off the side of the first panel so you can connect the next panel. The flat design of the Epic Link and power supply allows for you to be able to “sandwich” them between the ceiling and surface mount panels if using spacers. White gaffers tape, glue dots, or double sided tape are helpful in organizing RJ45 Cables during installation. Typically power supply and power Epic Link will be installed above the ceiling.



▶ **VERY IMPORTANT:** Make sure your connections **IN (GREEN)** & **OUT (RED)** are correct from each star board to ensure proper power and communication. One wrong connection will disrupt communication to all panels following.



ACOUSTICAL FIBER OPTIC PANELS



ACOUSTICAL FIBER OPTIC PANELS



12V POWER SUPPLY



EPIC LINK

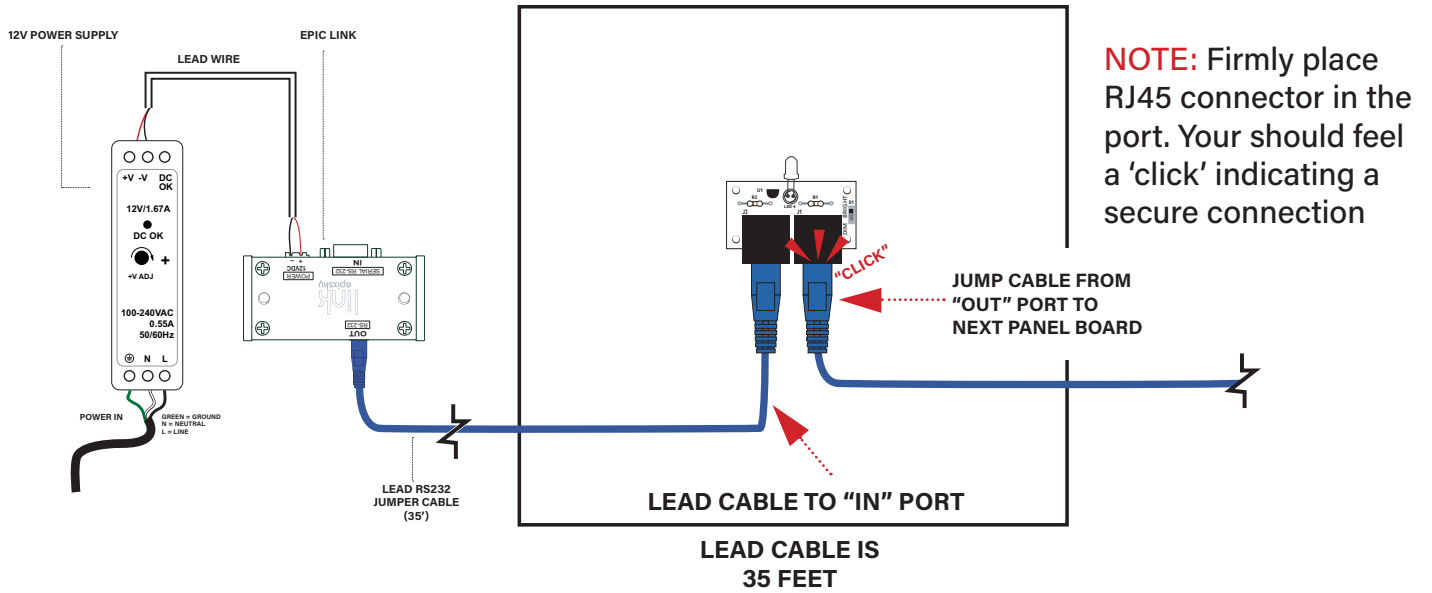


ADVANCED PRO (OPTIONAL)

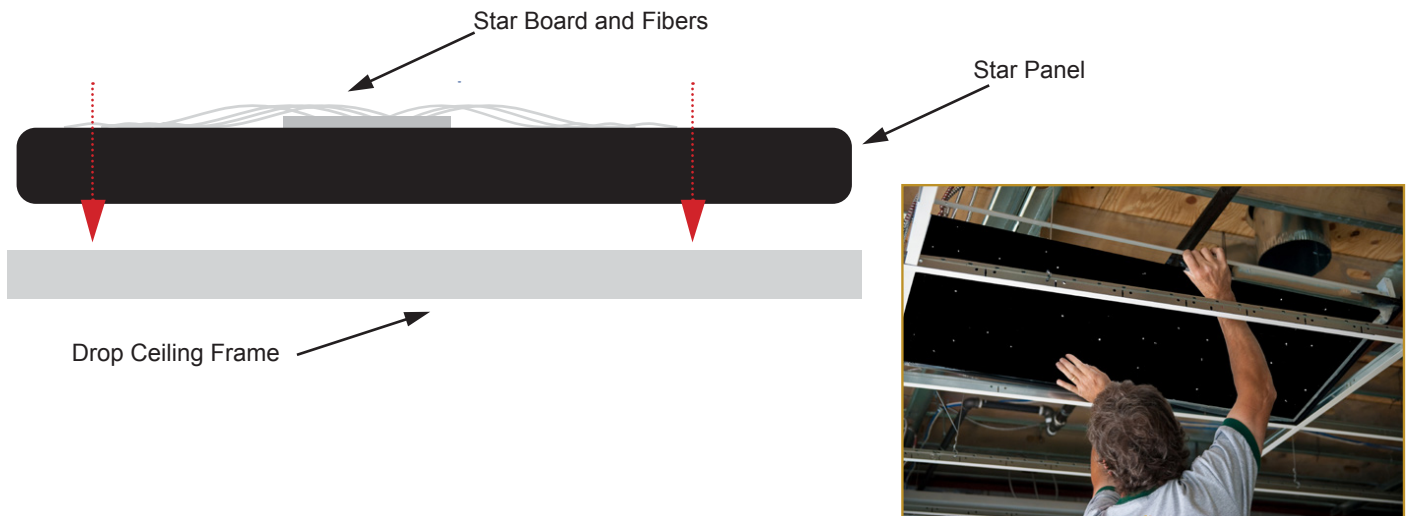


EPIC WIFI (OPTIONAL)

- 1** Connect the lead wire coming from the Epic Link to the starboard. Plug the RJ45 connector into the left port to the first panel you are installing. Connect your shorter jump wire into the right that will lead to the left port of your next panel to be placed. Refer to wiring diagram on page 3 for connection instructions.



- 2** Insert Star Panel into drop ceiling frame.



WIRING DIAGRAM /STAR PANELS ONLY



Up to 12 panels can be connected together in any configuration per lead wire. If your installation requires more than 12 panels, you will need an additional lead jumper wire and may need to add an additional Power Supply. See PAGE 1 Power Specifications.

CONFIGURATION WITH POWER ADAPTER

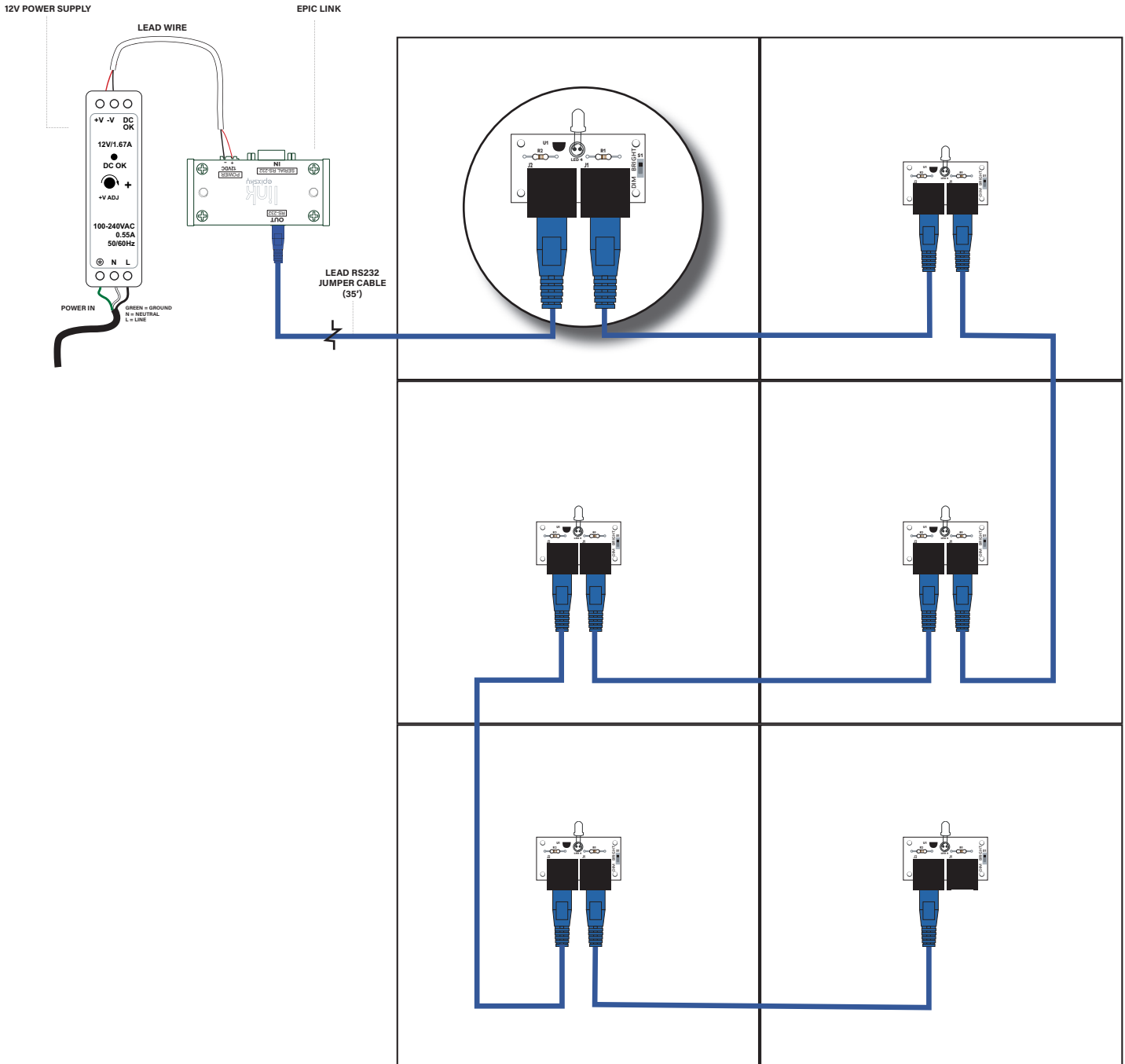


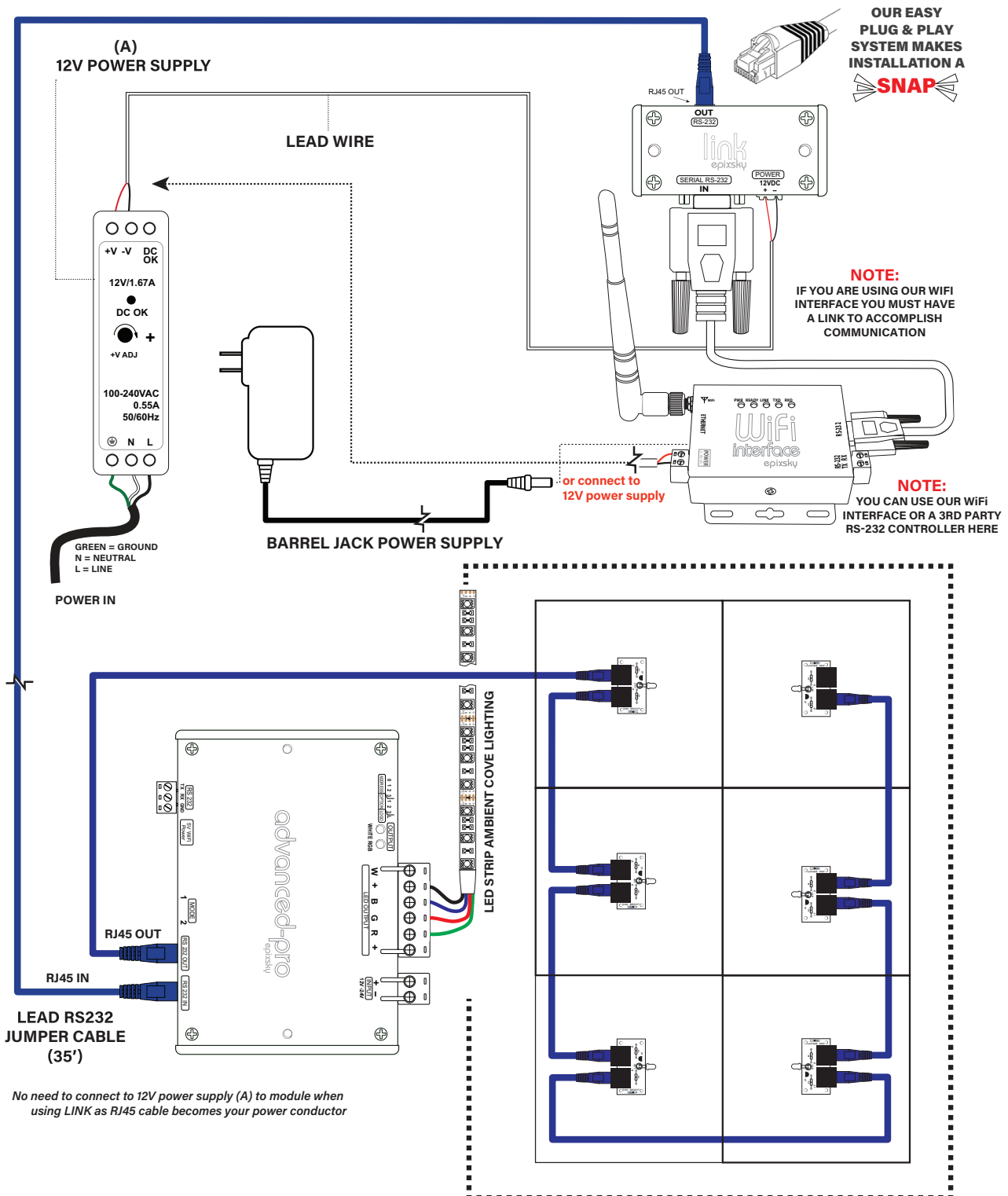
DIAGRAM ABOVE IS AN EXAMPLE WIRING DIAGRAM FOR A BASIC STAR PANEL CONFIGURATION. ELEMENTS SHOWN ARE NOT TO SCALE.

WIRING DIAGRAM STAR PANELS AND COVE LIGHTING

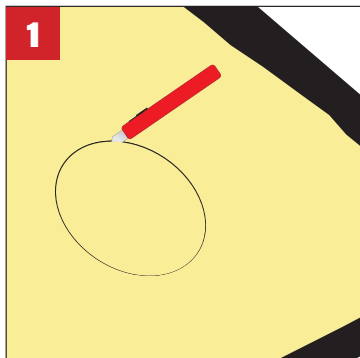


FOLLOW THE DIAGRAM BELOW FOR COVE LIGHTING CONFIGURATION

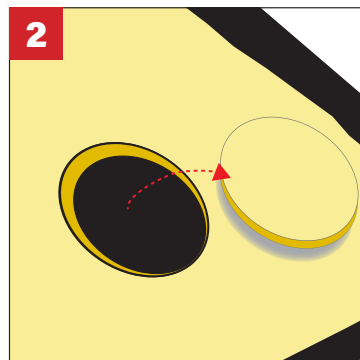
Up to 12 panels can be connected together in any configuration per lead wire. If your installation requires more than 12 panels, you will need an additional lead jumper wire and may need to add an additional Power Supply. (See PAGE 1 Power Specifications.)



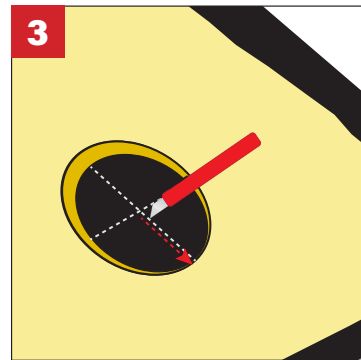
NOTE: Always cut on a flat surface. Spare cardboard works great. Make sure your knife is sharp so you don't tear or pull the fabric



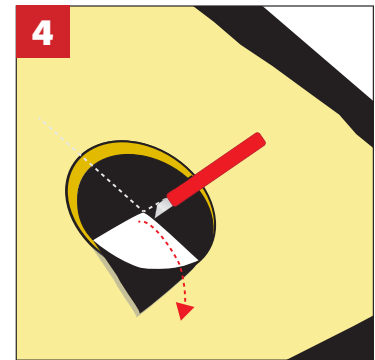
To field cut star panels for protruding objects such as drop beams, canned lights, or air conditioning vents, mark the location of the protrusion on the upper (unfinished) side of the panel. Use a sharp **NON-SERRATED** knife or box cutter. Cut the desired shape down through the fiberglass but **NOT THROUGH THE FABRIC**. Set your knife blade. Take your time!



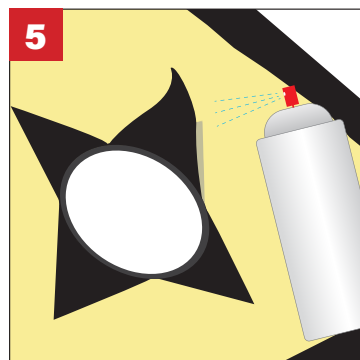
Remove the cut fiberglass piece from the panel.



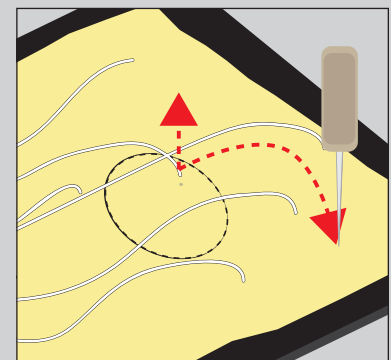
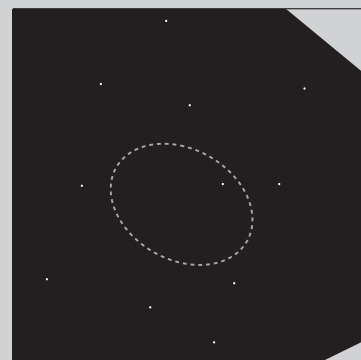
Carefully cut a clean "X" into the center of the fabric.



Fold flaps back through the opening.



Spray back of loose flaps with a 3M super 77 spray and press flat to surface



If a fiber or 2 is placed in a location you need to cut out simply cut the fiber, use the poker tool to make another hole in a location you desire, and push fiber through. *(It may not be necessary to do this as each board is populated evenly.)*

Impact Lighting, Inc. TERMS AND CONDITIONS

1. Contract

No quotation or order acknowledgment to terms of these terms and conditions shall be changed in any respect except as specifically agreed to in writing and signed by an authorized officer of Impact Lighting, Inc. No statement, representation or warranty not contained herein shall be binding on Impact Lighting, Inc., unless made in writing and signed by an authorized officer of Impact Lighting, Inc.

2. Payment

Unless other arrangements have been authorized by our office in writing, all orders require a 50% deposit to accompany any purchase order or proposal acceptance, with balance due and paid prior to shipment. Payments must be made directly to Impact Lighting, Inc. Payments made otherwise are unauthorized, as there are no other parties authorized to collect money for Impact Lighting, Inc. and thus payments made to other parties or entities are made at purchaser's own risk. ONCE AN ORDER HAS BEGUN PRODUCTION IT CANNOT BE CANCELED. Changes to orders are subject to a change order process and may incur additional fees and extend lead times.

3. Prices

Price quotes can be obtained from authorized Impact Lighting, Inc. representatives ONLY. Quotations are firm for 30 days, and otherwise are subject to change without notice. Prices do not include freight or tax unless specifically noted.

4. Shipping Dates

Average shipping time is 4-6 weeks after receipt of order and deposit, however this can vary. Please consult your sales rep for expected shipping dates for specific orders. Our estimated shipping dates are our best approximation of a probable shipping date and shall not be deemed to present a fixed or guaranteed date. Impact Lighting, Inc. shall not be responsible for any damages, penalties or charge backs resulting from delayed shipments or from its inability to ship by the estimated shipping date.

5. Consequential Damage

Impact Lighting, Inc. shall not be liable for any consequential, contingent, or incidental damages whatsoever. Impact Lighting, Inc. is not liable for damages of any kind resulting from any delay or failure to deliver or perform due to strikes, lockouts, or other labor difficulties, or failure due to delay of sources of supply, transportation difficulties, accidents, fires, acts of God, or any other causes of like or unlike nature beyond Impact Lighting, Inc.'s control.

6. Installation and Limited Warranty

All of our products are manufactured with UL, ETL, or CE approved components. All fixtures shown in our catalog conform to all applicable UL standards at the time of printing. Impact Lighting, Inc. reserves the right to change or improve the design or components of any of its products due to availability or changes in UL standards, without assuming any obligation to modify any product previously manufactured and without notice. All equipment is tested and inspected prior to shipment. All secondary parts warranties are carried by their respective manufacturers with typical industry standard warranty periods.

Buyer must inspect goods for any defects prior to installation, within 10 days of receipt. No claims will be accepted after 10 days. All goods must be installed and inspected by a qualified installer or electrician, as appropriate for the product. Impact Lighting, Inc. warrants its products to be free from defects in material and workmanship for one year from date of purchase. This warranty is limited to the correction of any such defect or the replacement of the defective item. This warranty does not cover labor, shipping or installation costs, and specifically excludes any product that has suffered from misuse, negligence or accident, if it has been used in a manner contrary to accepted normal use or to Impact Lighting, Inc.'s printed instructions, been improperly installed, overloaded, altered, tampered with, or otherwise abused in which any parts, including glass, have been reworked, repaired, or replaced outside of Impact Lighting, Inc.'s facility. This warranty specifically excludes finishes due to the unsuitability of many cleaning agents. There are no other express warranties including any warranty of merchantability or fitness for particular purpose. Impact Lighting, Inc. shall not be liable for consequential damages or cost of removal and re-installation of its products. This warranty is strictly limited to the original purchaser.

7. Returns and Cancellation of orders

All merchandise is custom made to order, and therefore we cannot accept returns or cancellations of an order. If the buyer, after approval of an order to Impact Lighting Inc. desires to cancel the order, and Impact Lighting Inc. accepts such, cancellation charges shall be 50% of the total price of the order or, if greater, the actual costs incurred by Impact Lighting Inc. with respect to the order at the time of cancellation.

epiXsky

A Division of Impact Lighting Inc.

3080 Lenworth Dr. • Mississauga, ON • L4X 2G1 • Email: sales@epiXsky.com

epiXsky.com