

| | |
|---------|------|
| PROJECT | DATE |
| TYPE | QTY |

POWER & COMMUNICATION CONNECTOR

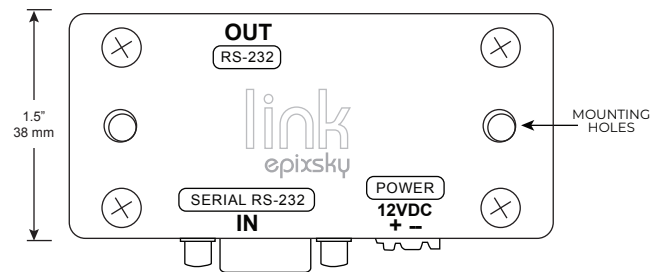


EPIC LINK
(actual size)

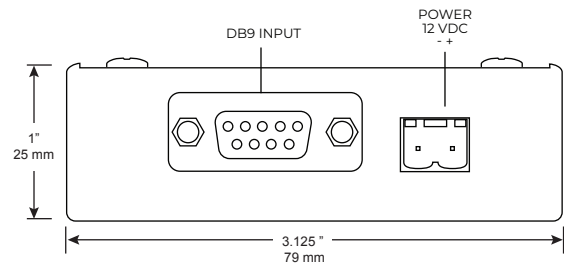
The **EPIC LINK** provides power and or communication to Epic Sky Systems by providing a simple way to connect to a power supply via a Phoenix connector and then provide power to the Epic Sky Systems via a standard Cat5 Cable. Serial communication coming from an Epic WiFi™ or 3rd party automation system can connect to the Epic Link and pass that communication via the same Cat5 cable being used for power.

KEY FEATURES:

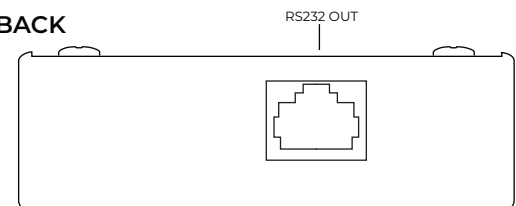
- Converts RS232 to RJ45 for easy plug and play
- 12VDC
- RS-232 connections via DB9 or Phoenix connector
- On board led indicators



FRONT



BACK



ORDERING

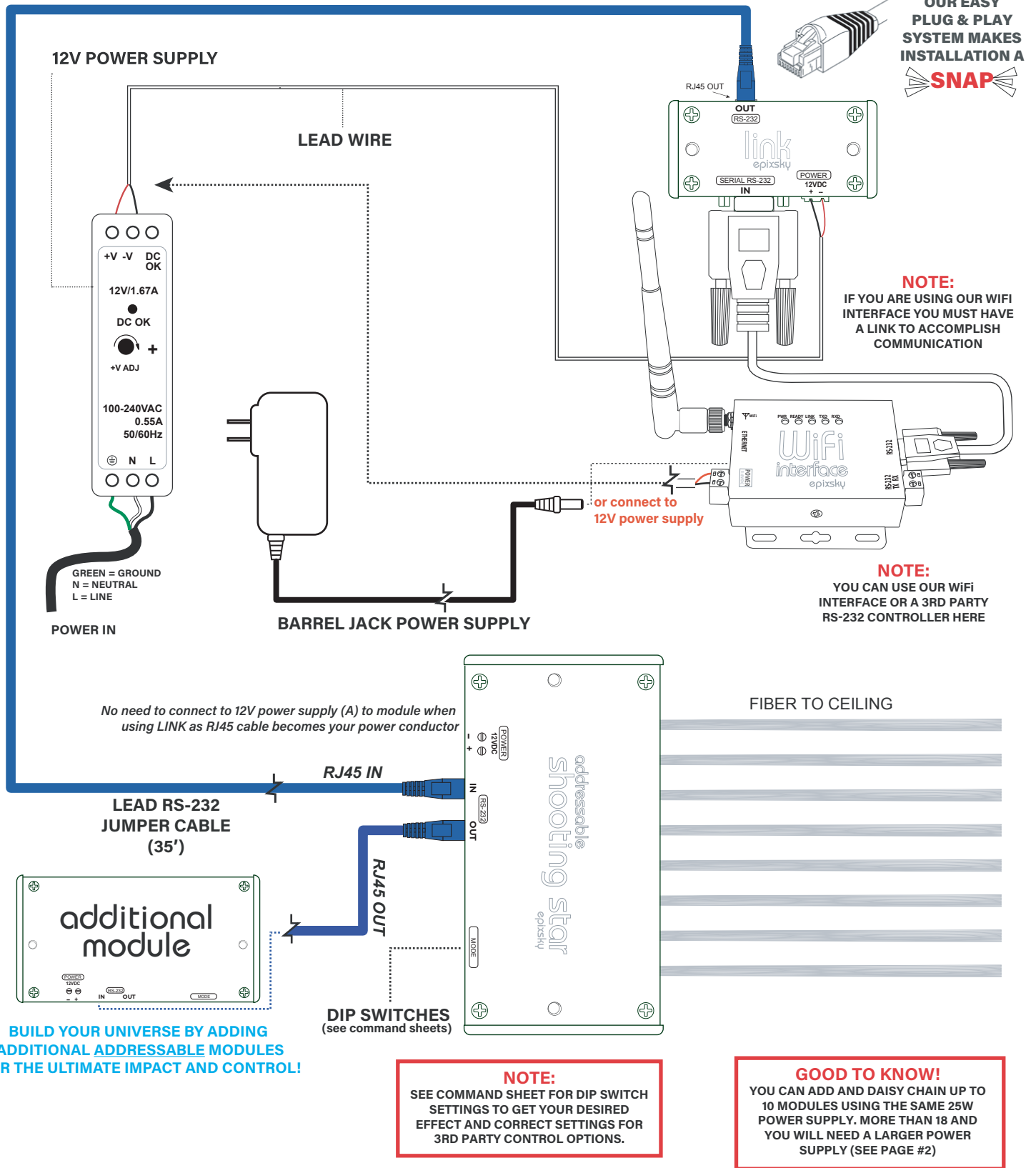
MODEL

EPIC-LINK

EPIC LINK

CAN BE USED IN CONJUNCTION WITH:

- Advanced RS232 Controller-for perimeter lighting
- WiFi Interface
- RGB Mini Downlight System
- Star Panel Systems



EPIC WIFI INTERFACE

SPECIFICATION

| | |
|---------|------|
| PROJECT | DATE |
| TYPE | QTY |



KEY FEATURES:

- Powder coat aluminum
- Solid state electronics
- Commercial grade construction
- 50ft range
- Control app. available for OSX iPad & iPad Mini (sold separately)

BENEFITS:

- Compact design
- Low power consumption
- Plug in and immediately connect

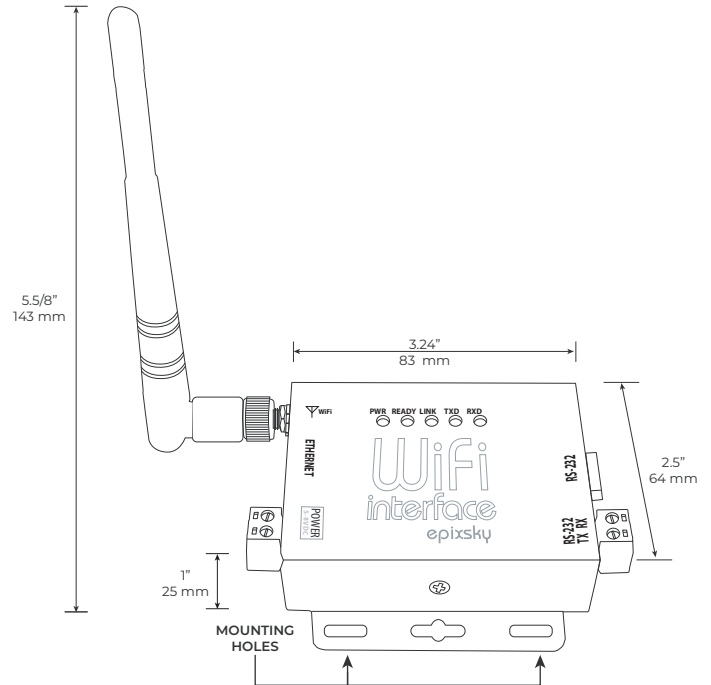


The **EPIC WIFI INTERFACE MODULE** provides instant network-enabling at its best, delivering the power of choice at a cost-effective price.

The innovative design of the Epic WiFi Lighting Control System allows for easy & flexible integration into any network control solution. Works with Epic Advanced Controller.

Download app for Apple iPad and iPad Mini only. **Requires Epic Link for Communication**

TECHNICAL INFO:



ORDERING

MODEL

EPIC-WIFI-SERIAL

5 VDC Power Supply
Adjustable Antenna
RS232 Serial Cable

TO BE USED IN CONJUNCTION WITH

- EPIC Star Modules
- EPIC Star Panels
- EPIC Controllers
- Epic Link (required with WiFi)



A Division on Impact Lighting Inc.

SPECIFICATION
CUBE

LUMI MINI LIGHT SYSTEM CONTROLLER

| | |
|---------|------|
| PROJECT | DATE |
| TYPE | QTY |

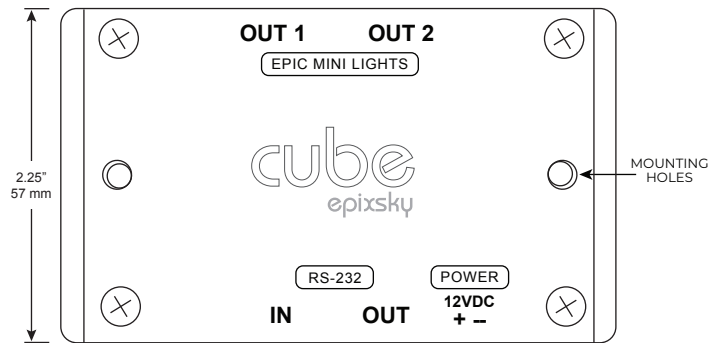


CUBE

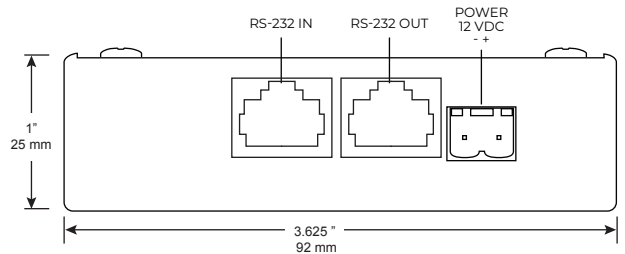
KEY FEATURES:

- 2 Port (zones) handling two mini light drivers
- 12VDC
- Compatible with 3rd Party RS-232 Controllers
- Full dimming capabilities from 0 - 100%

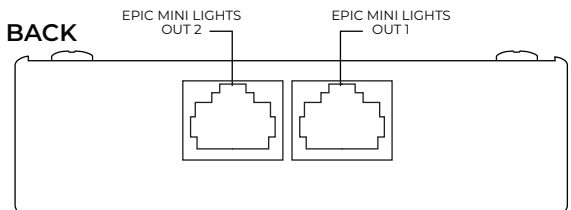
The **CUBE** is specifically designed to connect and maximize our Lumi Mini Light dimming capabilities with our Epic WiFi or any other 3rd Party controller such as Control 4 or Savant, etc. The Lumi Mini Light System includes the CUBE, LUMI MINI LIGHT DRIVER and LUMI MINI LIGHTS.



FRONT



BACK



V. 220 | Copyright © 2021, Impact Lighting Inc. All Rights Reserved

ORDERING

MODEL

CUBE

LUMI MINI LIGHT
SYSTEM CONTROLLER

CAN BE USED IN CONJUNCTION WITH:

- 3rd Party RS-232 Controllers
- Epic WiFi Interface
- Epic Link
- Lumi Mini Downlights
- Mini Downlight Driver



A Division on Impact Lighting Inc.

3100 Pennington Road, Orlando Florida 32804 • Ph. 1-800-507-5714 • Email: sales@epiXsky.com

epiXsky.com

SPECIFICATION
ADVANCED PRO

RS-232 SERIAL CONTROLLER

| | |
|---------|------|
| PROJECT | DATE |
| TYPE | QTY |



FASTER, SMOOTHER COMMUNICATION
THE MOST POWERFUL LED LIGHTING CONTROLLER ON THE MARKET



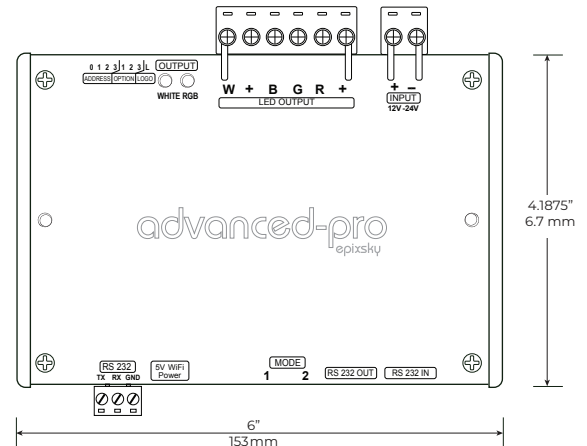
ADVANCED-PRO RS-232 CONTROLLER
(power supply not included)

KEY FEATURES:

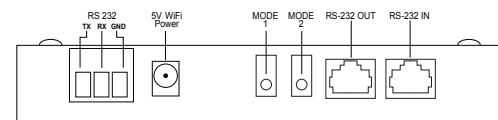
- Can handle up to 800W@24VDC or 400W@12VDC
- 12-24VDC (33 Amps MAX)
- 4 high current channels with independent control - The highest in the industry. RGB + White.
- Suitable for common anode RGB, RGBW LED strips, LEDs and incandescent bulbs.
- Standalone mode with 8 preprogrammed light sequences.
- A custom user-editable sequence via RS-232 Serial with a wide-range of effect speed adjustments
- Memory for last selected sequence and user-editable sequence.
- Addressable. Multiple modules can be connected with independent control for each module.
- Small form factor.
- PWM of 480 Hz delivers smooth dimming and a wide range of color spectrum of RGB LED light fixtures.
- Override memory allows last program to continue in case the RS-232 serial connection is disrupted for any reason.
- Reverse polarity protection.
- Work independently or integrated into a whole-house 3rd party control system.
- Integrated 5 Volt WiFi Power Port
- **5 YEAR WARRANTY**

The **ADVANCED-PRO** features New X-2 technology delivering **FASTER, SMOOTHER COMMUNICATION** with the even more powerful wattage than before!

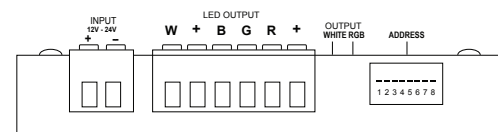
4 high current channels with independent control. The Advanced PRO RS-232 Serial Controller can handle up to 800W making it the most powerful led lighting controller on the market today. RGB + White. Suitable for common anode RGB LED strips, LEDs and incandescent bulbs. Standalone mode with 8 preprogrammed light sequences. Custom user-editable sequence via RS-232. Wide-range effect & speed adjust. Works independently or integrated into a whole-house automation system.



FRONT



BACK



ORDERING

| MODEL | HOUSING |
|---------------------|---------|
| ADVANCED-PRO | |

RS-232 Controller

- BC - Black Composite (shown above)
- AA - Anodized Aluminum Construction / Commercial Grade (magenta w/ illuminated logo face)
* additional cost

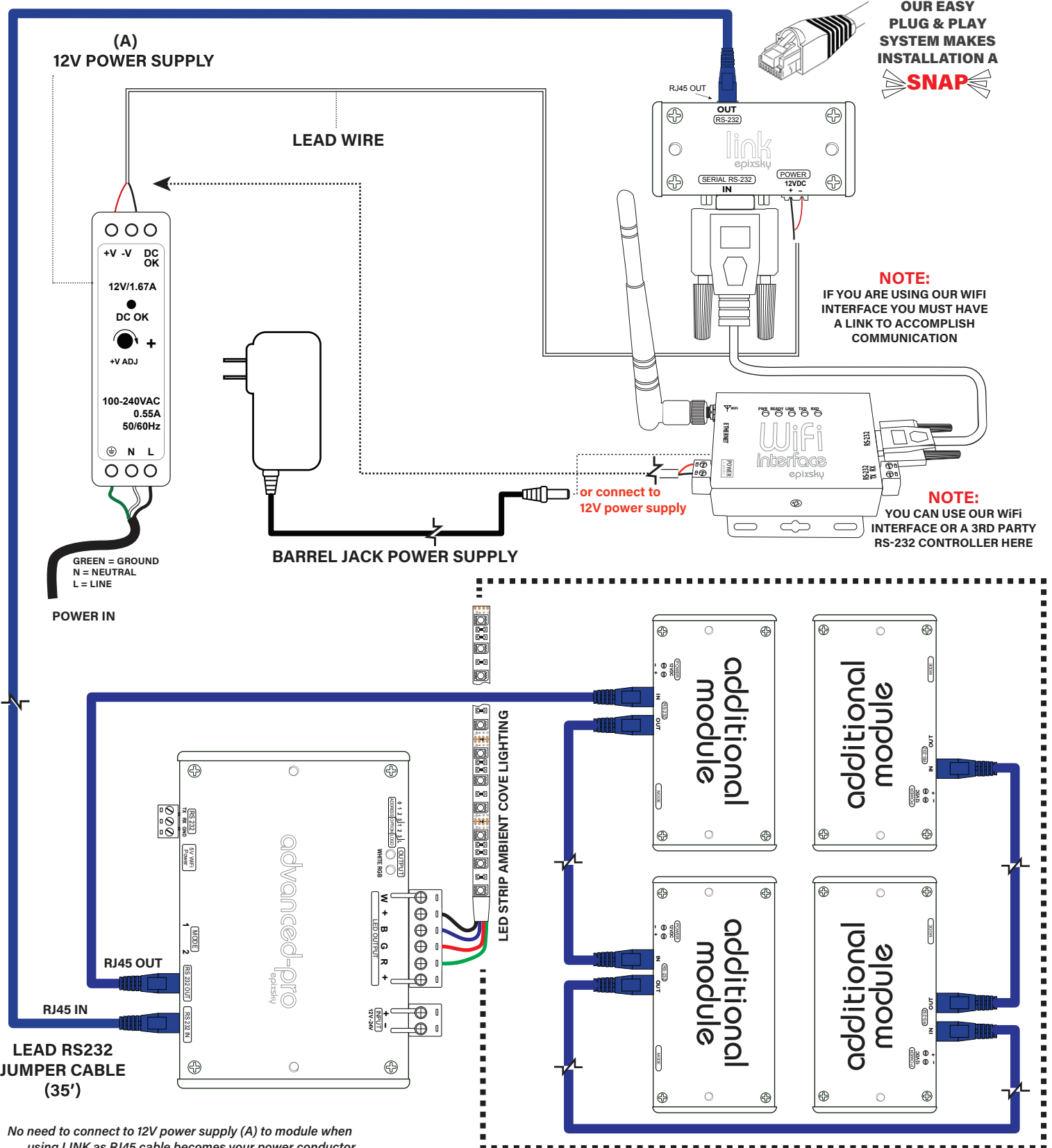


A Division on Impact Lighting Inc.

WIRING DIAGRAM ADVANCED PRO

RS-232 SERIAL CONTROLLER

THIRD PARTY CONTROL



No need to connect to 12V power supply (A) to module when using LINK as RJ45 cable becomes your power conductor

SPECIFICATION
RGB MINI

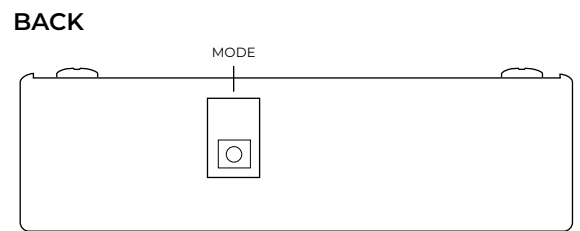
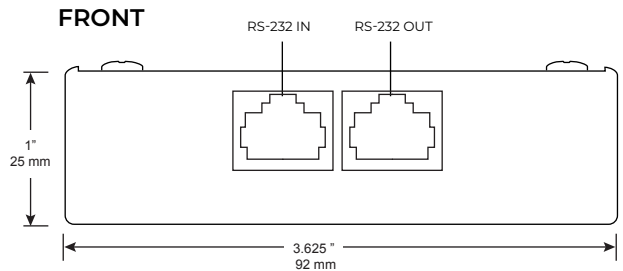
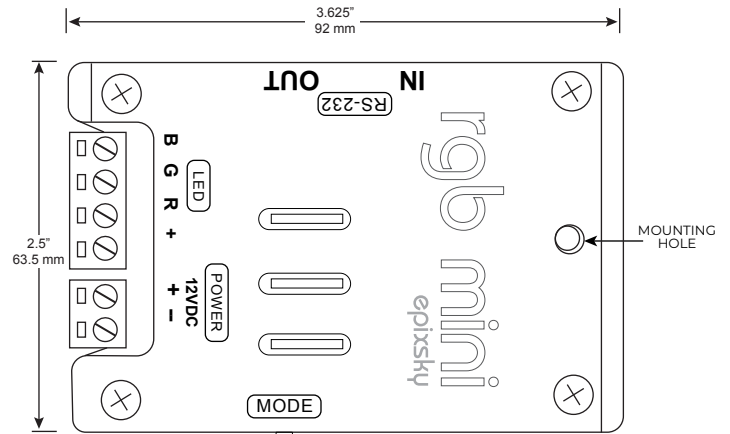
RS-232 SERIAL CONTROLLER

| | |
|---------|------|
| PROJECT | DATE |
| TYPE | QTY |



RGB MINI

EPIX RGB MINI controls RGB products such as our flexible LED strip lighting for cove and edge lighting or specialty lighting such as independent pendant or chandelier control.



KEY FEATURES:

- Can handle up to 200W@24VDC or 400W@12VDC
- 12-24VDC (20 Amps MAX)
- 3 high current channels with independent control
- Suitable for common anode RGB LEDs
- Standalone mode with color change mode
- Small form factor.
- PWM of 480 Hz delivers smooth dimming and a wide range of color spectrum of RGB LED light fixtures.
- Reverse polarity protection.
- Work independently or integrated into a whole-house 3rd party control system.
- 5 YEAR WARRANTY



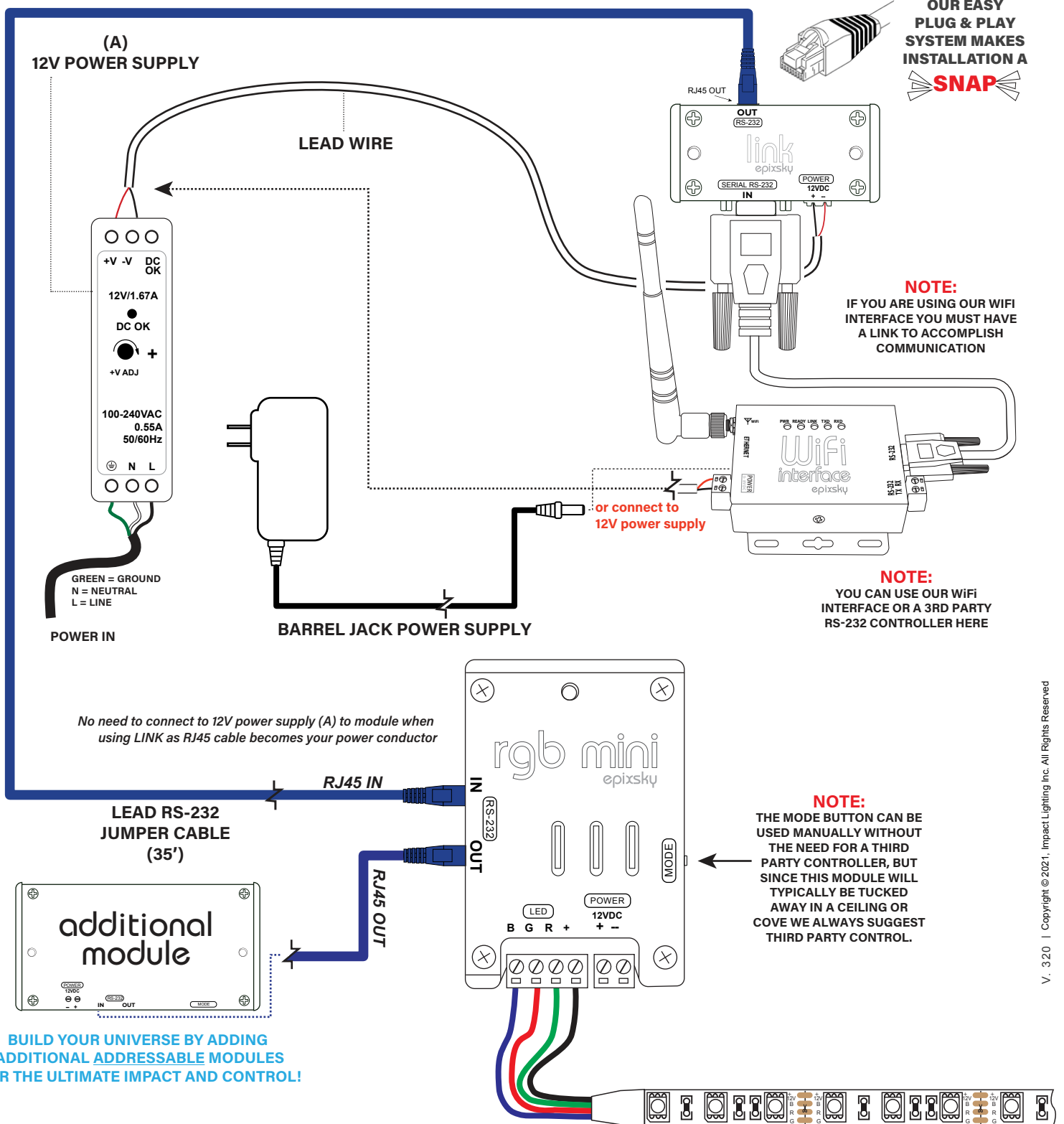
ORDERING

MODEL

RGB MINI

RGB MINI
RS-232 SERIAL CONTROLLER

V. 320 | Copyright © 2021, Impact Lighting Inc. All Rights Reserved



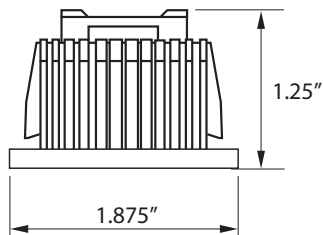
SPECIFICATION
LUMI MINI DOWNLIGHT

POWERFUL COMPACT 3 WATT DOWNLIGHT

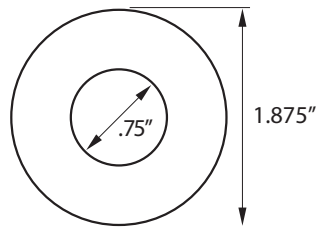
| | |
|---------|------|
| PROJECT | DATE |
| TYPE | QTY |



LUMI MINI DOWNLIGHT
 3W LED Mini Downlight



SIDE VIEW



FRONT VIEW

KEY FEATURES:

- Daisy Chain Lumi's with Epix Mini Light Drivers
- 12VDC
- Compact Fixture
- 3 Watts of Power

LUMI MINI DOWNLIGHTS are the perfect combination of power and design for high quality architectural, commercial and home automation use.

These lights can be controlled by Epix Sky's Mini Light Driver or the Advanced-Pro RS-232 Controller, or work independently.

KEY FEATURES

- Low Wattage runs MULTIPLE lights through RJ45 Connection!
- Unique Power Over Cat 5
- 3 Watts of power in a compact fixture.
- Available in black or white housing.
- Can be controlled with DMX decoder or any constant voltage controller.
- Dimmable with Epix Advanced-Pro RS-232 serial controller* or 3rd party controllers.
- Long Lamp Life
- Perfect for EpiXsky's Star Panel applications.



ORDERING Example: IL-LUMI-WW-D-BLK = Mini Downlight, Warm White, Dimmable with Black Housing

| MODEL | COLOR TEMP | DIMMABLE | HOUSING COLOR |
|--|---|----------------------------------|--|
| IL-LUMI | | | |
| 3 Watt / 12 VDC LED MINI DOWNLIGHT | WW - Warm White 3000K CW- Cool White 5000K | D - Dimmable N - Non-Dimmable | WH- White Housing BLK - Black Housing |

epiXsky
 A Division on Impact Lighting Inc.

3100 Pennington Road, Orlando Florida 32804 • Ph. 1-800-507-5714 • Email: sales@epiXsky.com

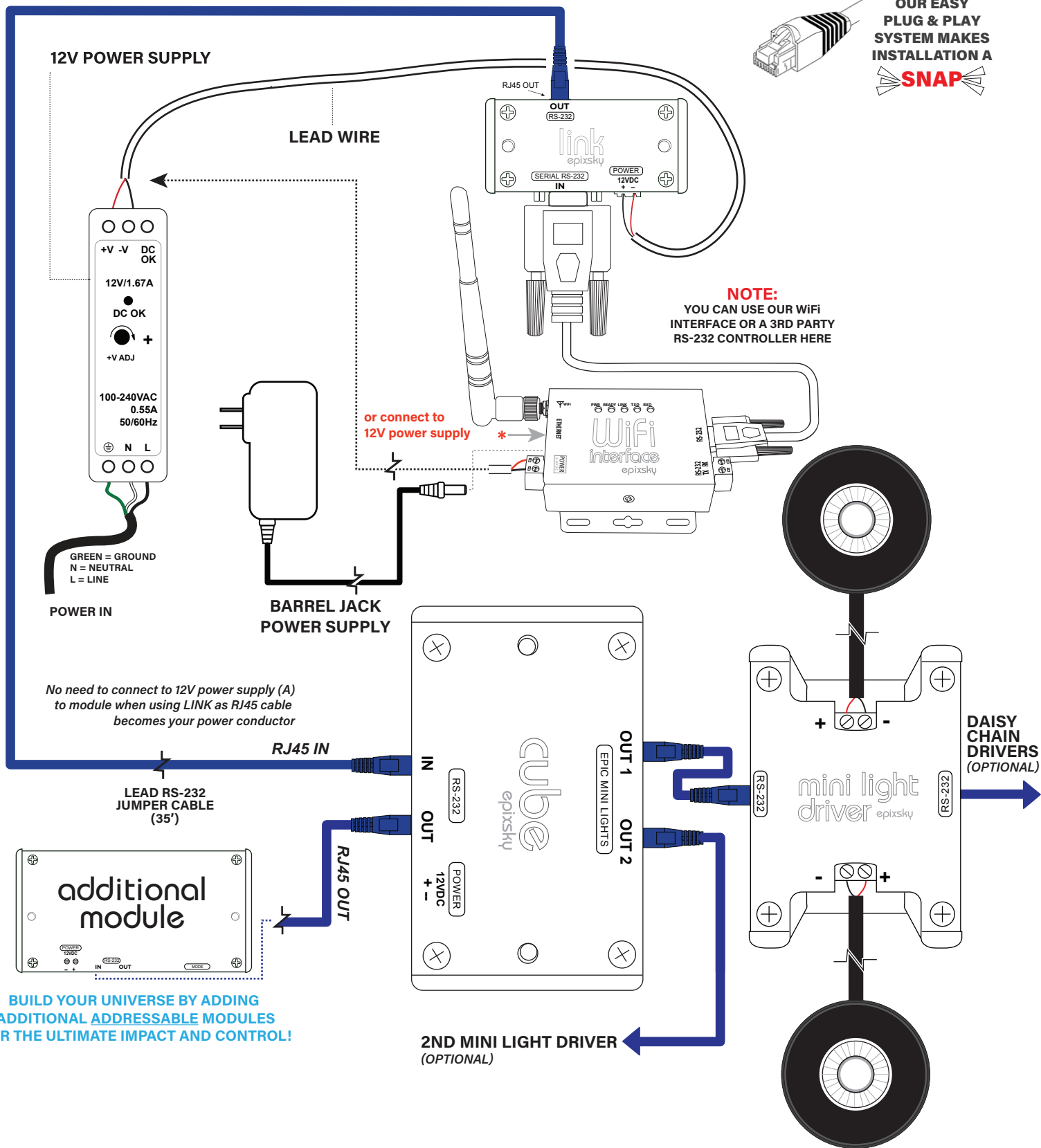
epiXsky.com

SPECIFICATION
LUMI MINI DOWNLIGHT

POWERFUL COMPACT 3 WATT DOWNLIGHT

THIRD PARTY CONTROL

OUR EASY
PLUG & PLAY
 SYSTEM MAKES
 INSTALLATION A
SNAP

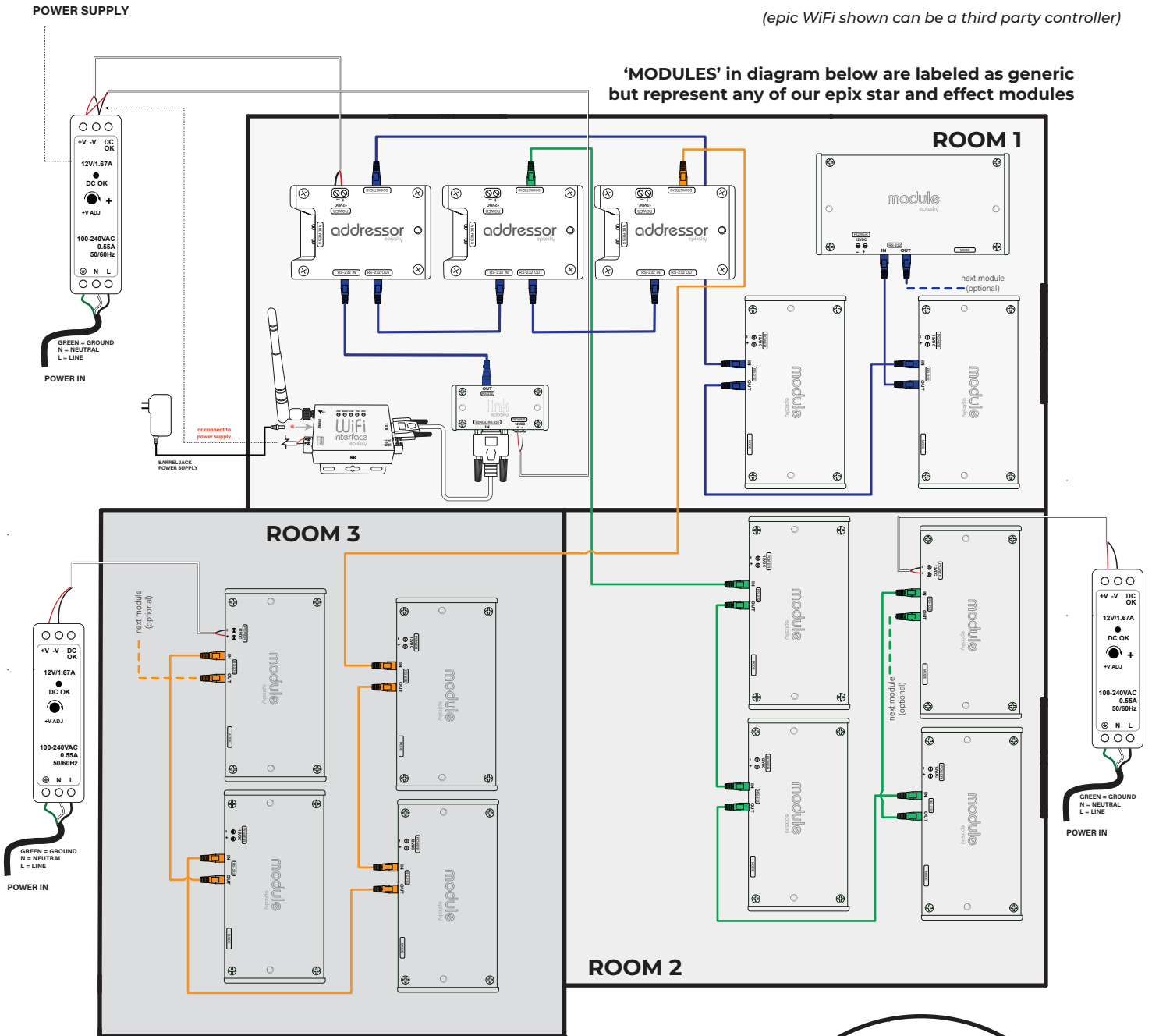


WIRING DIAGRAM
ADDRESSOR
 ROOM SCENARIO

THIRD PARTY CONTROL
SCENARIO 2

Addressors one room

(epic WiFi shown can be a third party controller)



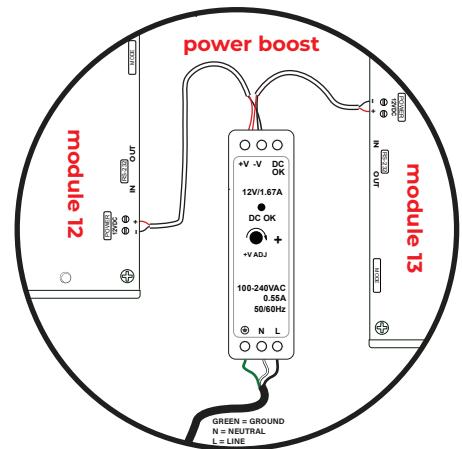
'MODULES' in diagram below are labeled as generic but represent any of our epic star and effect modules

RJ45 Cable colors in this diagram are for differentiation only. You may have multiple modules in one room which will determine which power supply you need. Refer to power supply chart.

POWER SUPPLY CHART

| | |
|------|-----------------|
| 20W | 5-6 modules |
| 40W | 12-13 modules |
| 60W | 19 modules |
| 100W | 32-33 modules |
| 120W | 105-106 modules |

Every 13th module will need a power boost. Use another lead wire and connect from your power supply to the power input on your module.



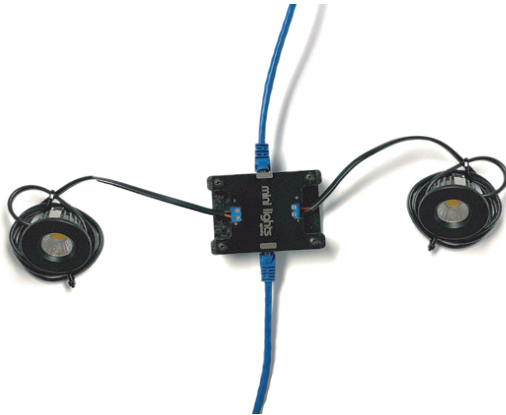
SPECIFICATION
MINI LIGHT DRIVER

DUAL MINI LIGHT DRIVER

| | |
|---------|------|
| PROJECT | DATE |
| TYPE | QTY |



MINI LIGHT DRIVER

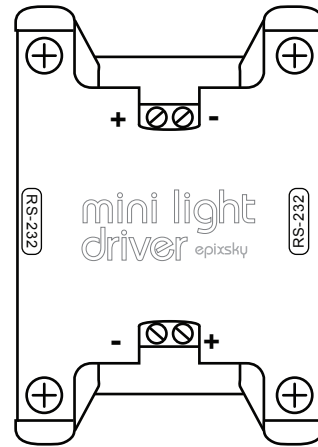


KEY FEATURES:

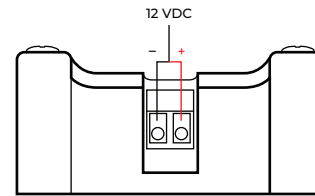
- Daisy Chain Multiple Drivers
- 12VDC
- Accomodates 2 Mini Downlights



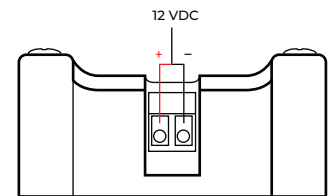
The **MINI LIGHT DRIVER** makes installing our Mini Lumi downlights into any ceiling or star panel hassle free. Each module accomodates two mini lights and can daisy chain up to 10 sets before needing another power supply.



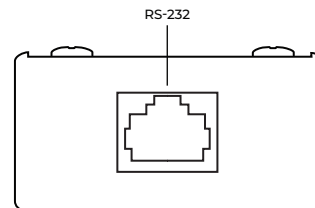
LEFT



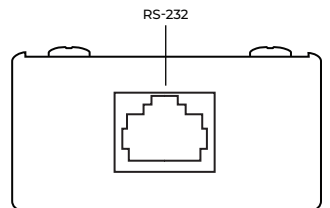
RIGHT



SIDE A



SIDE B



V. 220 | Copyright © 2021, Impact Lighting Inc. All Rights Reserved

ORDERING

MODEL

MLD

LUMI MINI LIGHT
 DUAL DRIVER

CAN BE USED IN CONJUNCTION WITH:

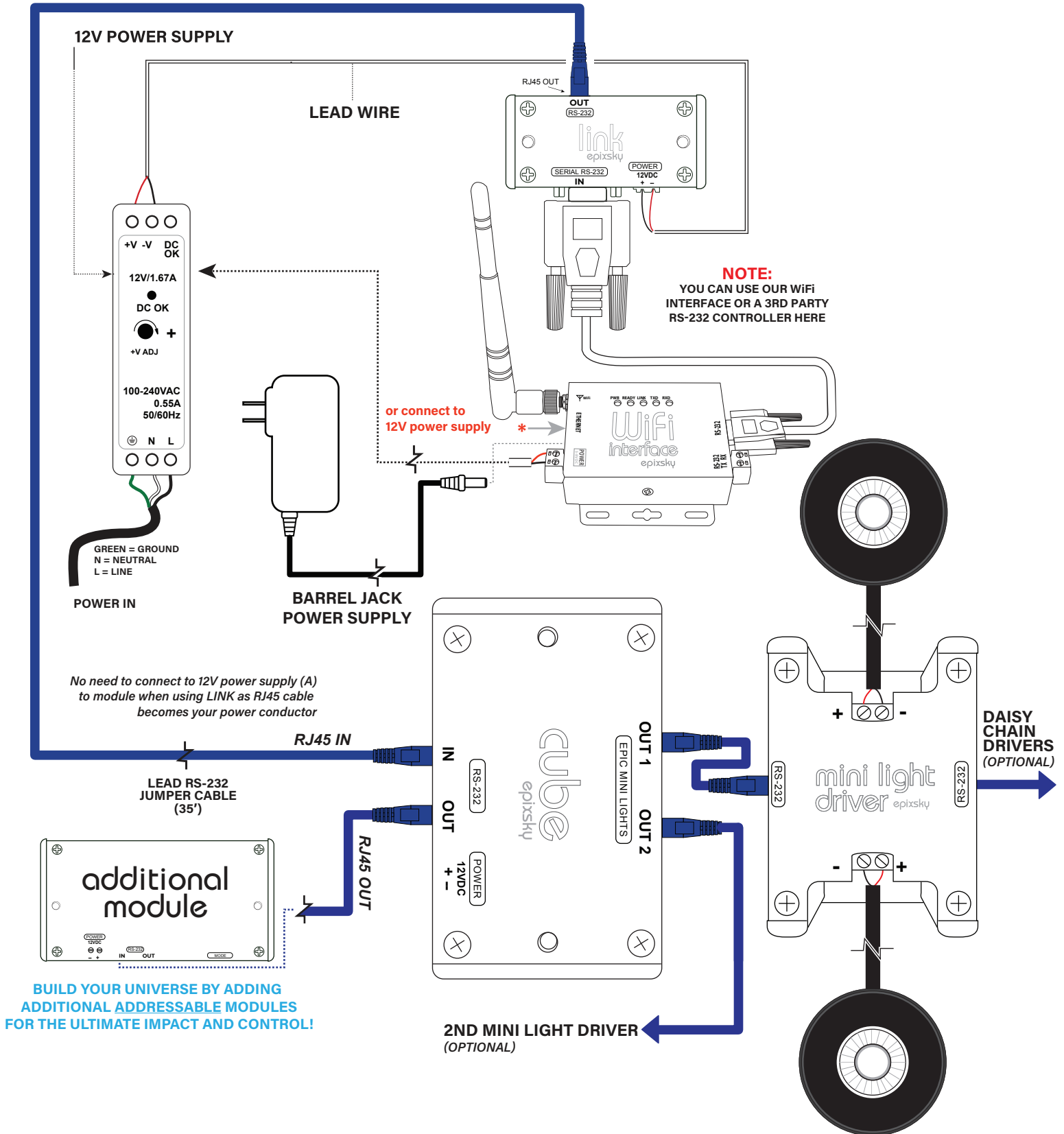
- Cube or Straight 12VDC Power
- LUMI Mini Downlights



A Division on Impact Lighting Inc.

3100 Pennington Road, Orlando Florida 32804 • Ph. 1-800-507-5714 • Email: sales@epiXsky.com

epiXsky.com



TWILIGHT WHITE STAR MODULE

SPECIFICATION

| | |
|---------|------|
| PROJECT | DATE |
| TYPE | QTY |



EpiXsky's **TWILIGHT WHITE STAR MODULE** is designed to be a star kit or a custom effect kit.

With this module you can create a simple and beautiful star field or a constellation, a shooting star or a meteor shower.

These are programmable by dip switch settings, RS-232 third party controllers such as Centro or Control 4.

We suggest downloading our free EPIX app from the app store.

KEY FEATURES:

- 12 VDC Power
- Fiber Port (supports 256 fibers)
- 6 Programs*
- RS-232 Serial Controllable
- Stand Alone Mode – Dip Switch Program
- Optional EpiX WiFi required w/ 3rd Party Control
- Remote Momentary Switch Ready (*Sold Separately*)

* Refer to module control reference sheet

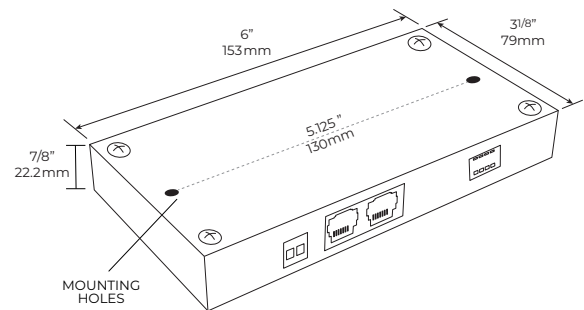
If you plan to have more than one effect, we suggest our addressable modules so you can control each effect separately.

BENEFITS:

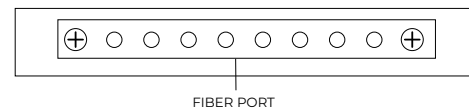
- Digital Electronics
- Compact Design
- Quiet Operation (no fan)
- No Moving Parts!
- Long Life LED's
- Low Wattage



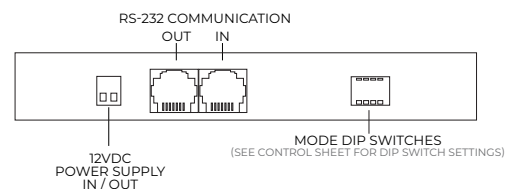
TECHNICAL INFO:



FRONT



BACK



ORDERING

| MODEL | RS-232 CABLE LENGTH | POWER | FIBER HEAD |
|---|---------------------|------------|-------------|
| TWSM | | | |
| White Stars, Shooting Star, Constellation, or Meteor Shower Module with built in programs | 10 - 10ft | N - none | FIREWORK |
| | 35 - 35ft | 25 - 12W | 1.6 - 1' 6" |
| | | 45 - 45W | 3.6 - 3' 6" |
| | | 60 - 60W | 5.6 - 5' 6" |
| | | 100 - 100W | 10 - 10' |
| | | 150 - 150W | |
| | | 200 - 200W | |
| | | 250 - 250W | |
| | 300 - 300W | | |

See Length Guide for application requirement (page 2)

See Power requirements (page 2)

ADD-ONS

- WiFi** - WiFi Interface (*required for 3rd party control*)(link required w/ WiFi)
- LINK** - Communicator for Wifi Interface (*required for 3rd party control*)
- ADSR** - Addressor (*for multi-room control*)
- RGB Mini** - RGB Mini (*for rgb ambient cove lighting*)
- ADVP** - Advanced-pro (*for rgbw cove lighting and advanced control*)
- DISTBD** - Distribution Board (*streamlines RS-232 communication*)
- RMS** - Remote Momentary Switch (*for simple on/off*)
- DB** - Drill Bits (*2 pack*)
- FG** - Fiber Glue (*adheres fibers to surface*)

V. 2.11 | Copyright © 2021, Impact Lighting Inc. All Rights Reserved



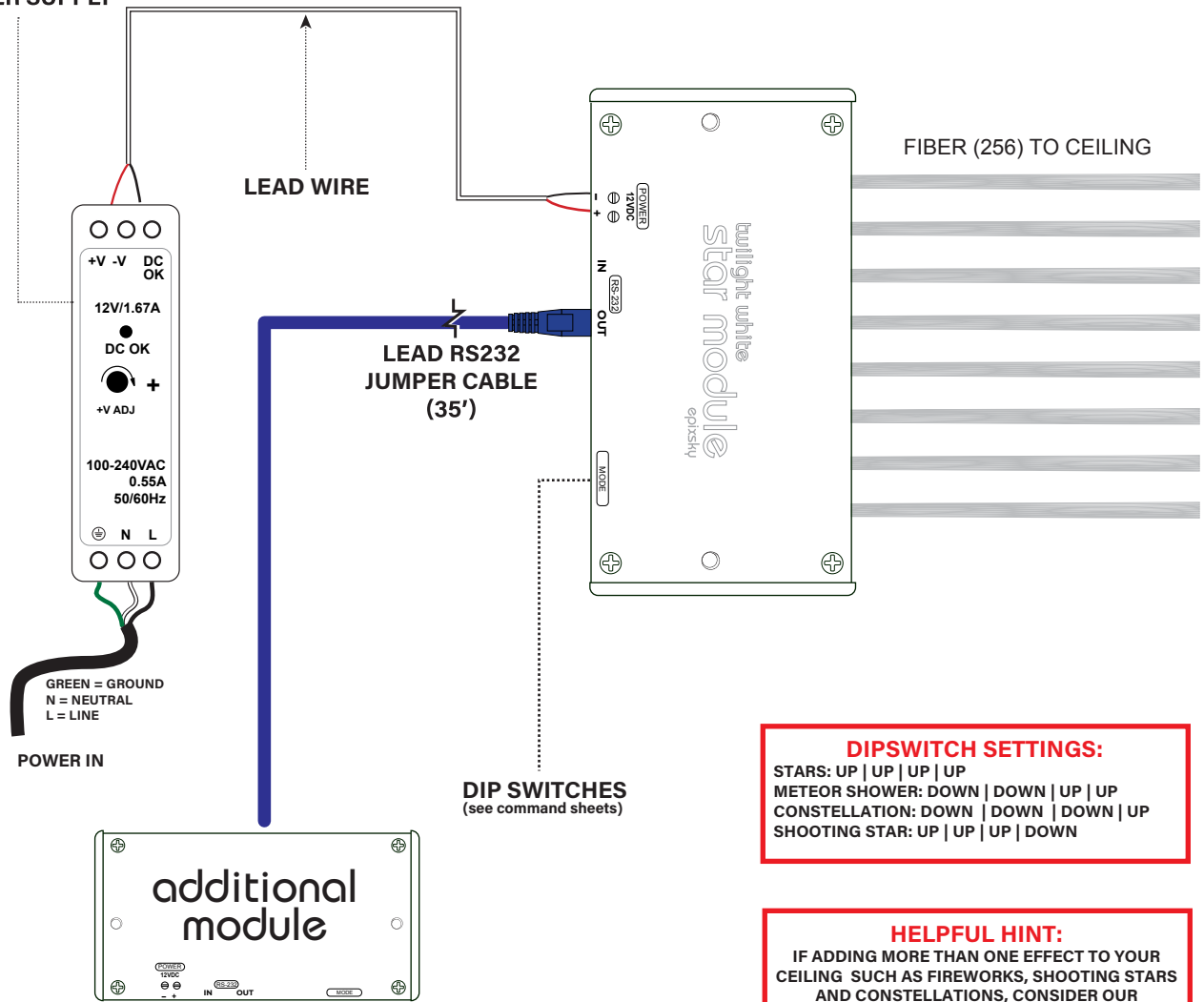
A Division on Impact Lighting Inc.

TWILIGHT WHITE STAR MODULE

STAND ALONE USE

WIRING DIAGRAM

12V POWER SUPPLY



GREEN = GROUND
N = NEUTRAL
L = LINE

POWER IN

LEAD WIRE

LEAD RS232
JUMPER CABLE
(35')

FIBER (256) TO CEILING

DIP SWITCHES
(see command sheets)

DIPSWITCH SETTINGS:
 STARS: UP | UP | UP | UP
 METEOR SHOWER: DOWN | DOWN | UP | UP
 CONSTELLATION: DOWN | DOWN | DOWN | UP
 SHOOTING STAR: UP | UP | UP | DOWN

HELPFUL HINT:
 IF ADDING MORE THAN ONE EFFECT TO YOUR CEILING SUCH AS FIREWORKS, SHOOTING STARS AND CONSTELLATIONS, CONSIDER OUR ADDRESSABLE MODULES SO YOU CAN CONTROL EACH EFFECT INDIVIDUALLY.

BUILD YOUR UNIVERSE BY ADDING ADDITIONAL ADDRESSABLE MODULES FOR THE ULTIMATE IMPACT AND CONTROL!

| STARS FIBER LENGTH CHART | |
|--------------------------|------|
| 2'x2' Panel / Area | 1.6" |
| 2'x4' Panel / Area | 3'6" |
| 4'x4' Panel / Area | 5'6" |
| 4'x8' Panel / Area | 10' |

| POWER SUPPLY CHART | |
|--------------------|-----------------|
| 20W | 5-6 modules |
| 40W | 12-13 modules |
| 60W | 19 modules |
| 100W | 32-33 modules |
| 120W | 105-106 modules |

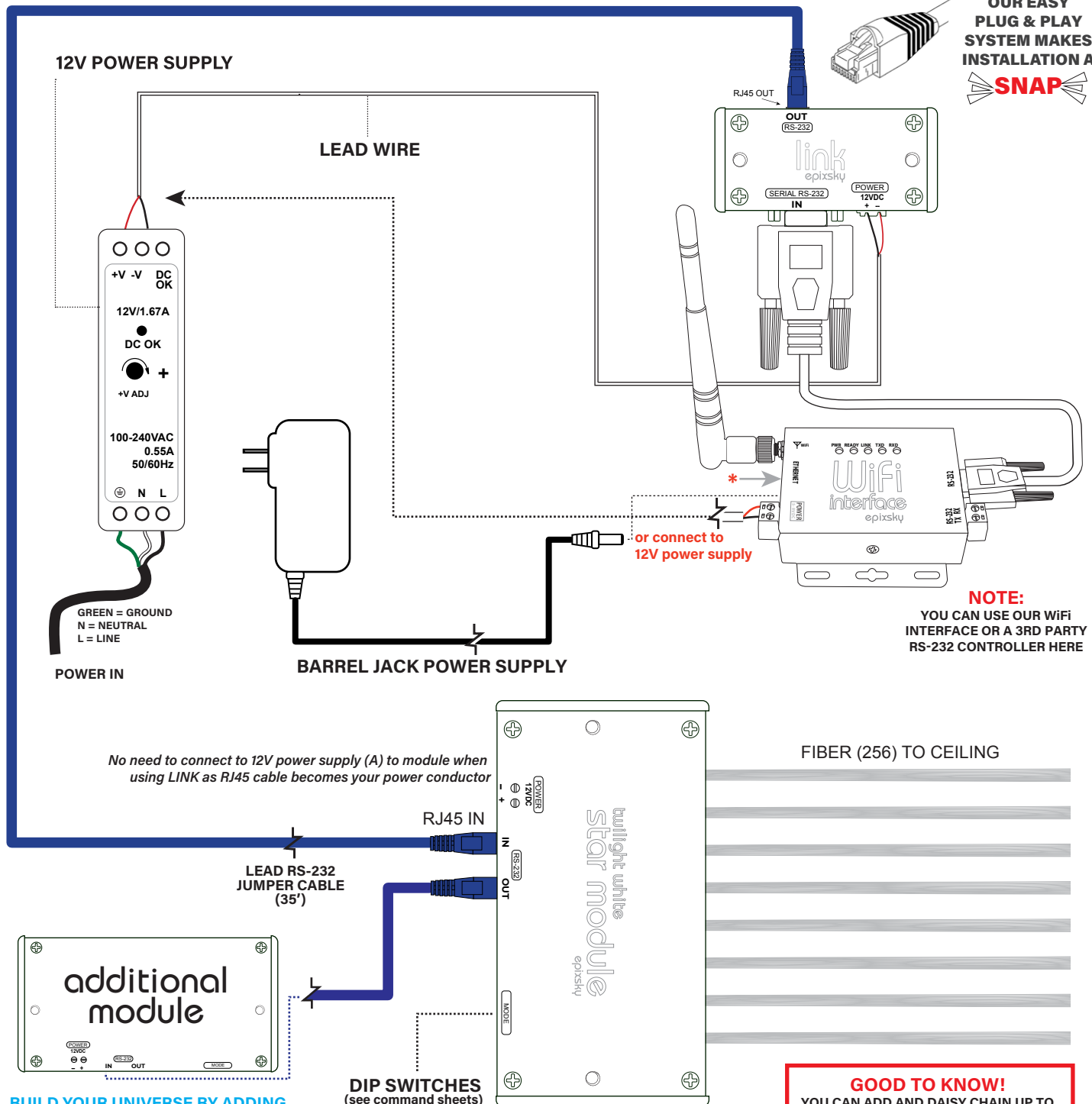
Every 13th module will need a power boost. Use another lead wire and connect from your power supply to the power input on your module.

TWILIGHT WHITE
STAR MODULE

WIRING DIAGRAM

THIRD PARTY CONTROL

OUR EASY
PLUG & PLAY
SYSTEM MAKES
INSTALLATION A
SNAP



No need to connect to 12V power supply (A) to module when using LINK as RJ45 cable becomes your power conductor

NOTE:
YOU CAN USE OUR WIFI
INTERFACE OR A 3RD PARTY
RS-232 CONTROLLER HERE

**BUILD YOUR UNIVERSE BY ADDING
ADDITIONAL ADDRESSABLE MODULES
FOR THE ULTIMATE IMPACT AND CONTROL!**

HELPFUL HINT:
IF ADDING MORE THAN ONE EFFECT TO YOUR
CEILING SUCH AS FIREWORKS, SHOOTING
STARS AND CONSTELLATIONS, CONSIDER OUR
ADDRESSABLE MODULES SO YOU CAN
CONTROL EACH EFFECT INDIVIDUALLY.

NOTE:
SEE COMMAND SHEET FOR DIP SWITCH
SETTINGS TO GET YOUR DESIRED
EFFECT.

GOOD TO KNOW!
YOU CAN ADD AND DAISY CHAIN UP TO
10 STAR MODULES USING THE SAME 25W
POWER SUPPLY. MORE THAN 10 AND
YOU WILL NEED A LARGER POWER
SUPPLY (SEE PAGE 2)

*** ADVANCED USE**
To marry EPIX system with your home automation
system, connect our WiFi Interface to your home modem.

TWILIGHT COLOR STAR MODULE

SPECIFICATION

| | |
|---------|------|
| PROJECT | DATE |
| TYPE | QTY |



EpiXsky's **TWILIGHT COLOR STAR MODULE** is designed to be a star kit or a custom effect kit.

With this module you can create a simple colorful starfield and have the choice of iridescent, random, full or a single color starfield.

These are programmable by dip switch settings or RS-232 third party controllers such as Centro or Control 4.

If you don't already own a third party controller, we suggest downloading our free EPIX app from the app store for our custom programs to get the most out of your stars.

KEY FEATURES:

- 12 VDC Power
- Fiber Port (supports 256 fibers)
- 16 Programs*
- RS-232 Serial Controllable
- Stand Alone Mode – Dip Switch Program
- Optional EpiX WiFi required w/ 3rd Party Control
- Remote Momentary Switch Ready (*Sold Separately*)

* Refer to module control reference sheet

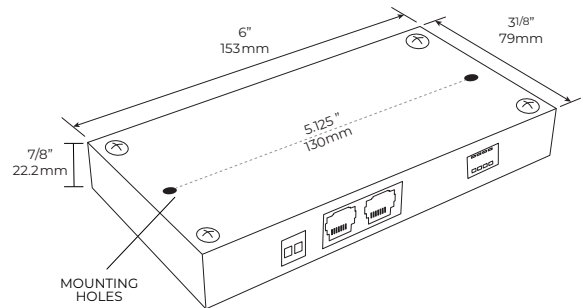
If you plan to have more than one effect, we suggest our addressable modules so you can control each effect separately.

BENEFITS:

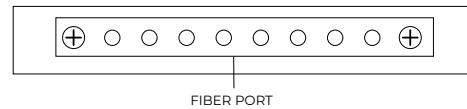
- Digital Electronics
- Compact Design
- Quiet Operation (no fan)
- No Moving Parts!
- Long Life LED's
- Low Wattage



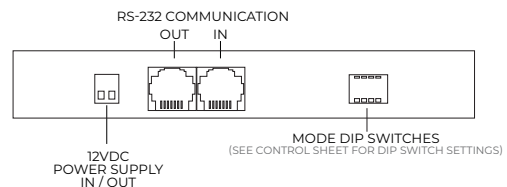
TECHNICAL INFO:



FRONT



BACK



ORDERING

| MODEL | RS-232 CABLE LENGTH | FIBER HEAD | POWER | LEAD WIRE LENGTH |
|---------------------------------------|---------------------|-------------|------------|------------------|
| TCSM | | | | |
| Color Stars with 16 built in programs | 3 - 3ft | STARS | N - none | N - none |
| | 5 - 5ft | 1.6 - 1' 6" | 25 - 12W | 5 - 5ft. |
| | 10 - 10ft | 3.6 - 3' 6" | 45 - 45W | 10 - 10ft. |
| | 35 - 35ft | 5.6 - 5' 6" | 60 - 60W | 25 - 25ft. |
| | | 10 - 10' | 100 - 100W | |
| | | | 150 - 150W | |
| | | 200 - 200W | | |
| | | 250 - 250W | | |
| | | 300 - 300W | | |

See Length Guide for application requirement

See Power requirements

ADD-ONS



WiFi - WiFi Interface (*required for 3rd party control*) (*link required w/ WiFi*)

LINK - Communicator for Wifi Interface (*required for 3rd party control*)

DISTBD - Distribution Board

RMS - Remote Momentary Switch (*for simple on/off*)

DB - Drill Bits (*2 pack*)

FG - Fiber Glue



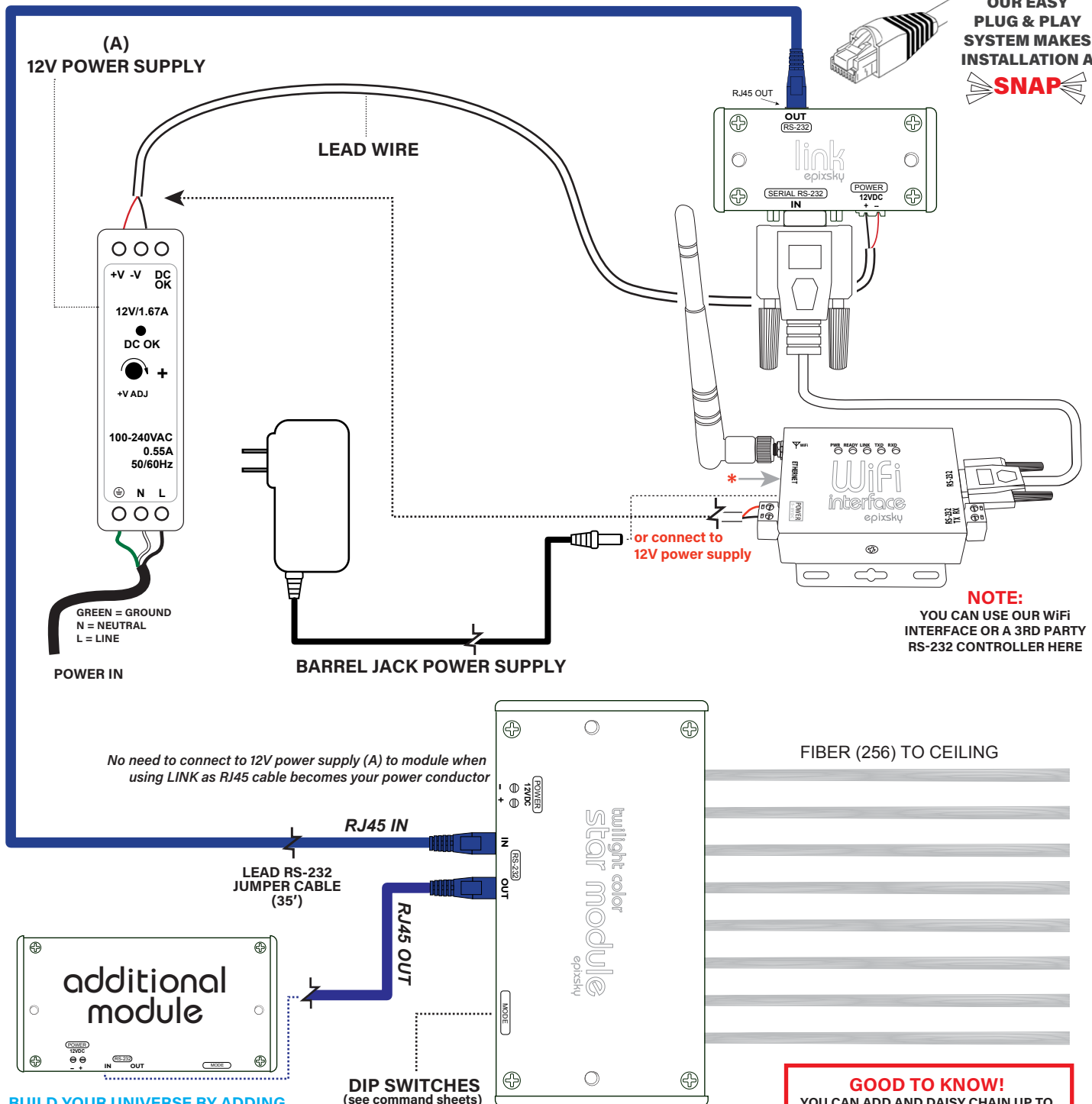
A Division on Impact Lighting Inc.

TWILIGHT COLOR
STAR MODULE

WIRING DIAGRAM

THIRD PARTY CONTROL

OUR EASY
PLUG & PLAY
SYSTEM MAKES
INSTALLATION A
SNAP



NOTE:
YOU CAN USE OUR WiFi
INTERFACE OR A 3RD PARTY
RS-232 CONTROLLER HERE

No need to connect to 12V power supply (A) to module when using LINK as RJ45 cable becomes your power conductor

BUILD YOUR UNIVERSE BY ADDING ADDITIONAL ADDRESSABLE MODULES FOR THE ULTIMATE IMPACT AND CONTROL!

HELPFUL HINT:
IF ADDING MORE THAN ONE EFFECT TO YOUR CEILING SUCH AS FIREWORKS, SHOOTING STARS AND CONSTELLATIONS, CONSIDER OUR ADDRESSABLE MODULES SO YOU CAN CONTROL EACH EFFECT INDIVIDUALLY.

NOTE:
SEE COMMAND SHEET FOR DIP SWITCH SETTINGS TO GET YOUR DESIRED EFFECT.

GOOD TO KNOW!
YOU CAN ADD AND DAISY CHAIN UP TO 10 STAR MODULES USING THE SAME 25W POWER SUPPLY. MORE THAN 10 AND YOU WILL NEED A LARGER POWER SUPPLY (SEE PAGE #?)

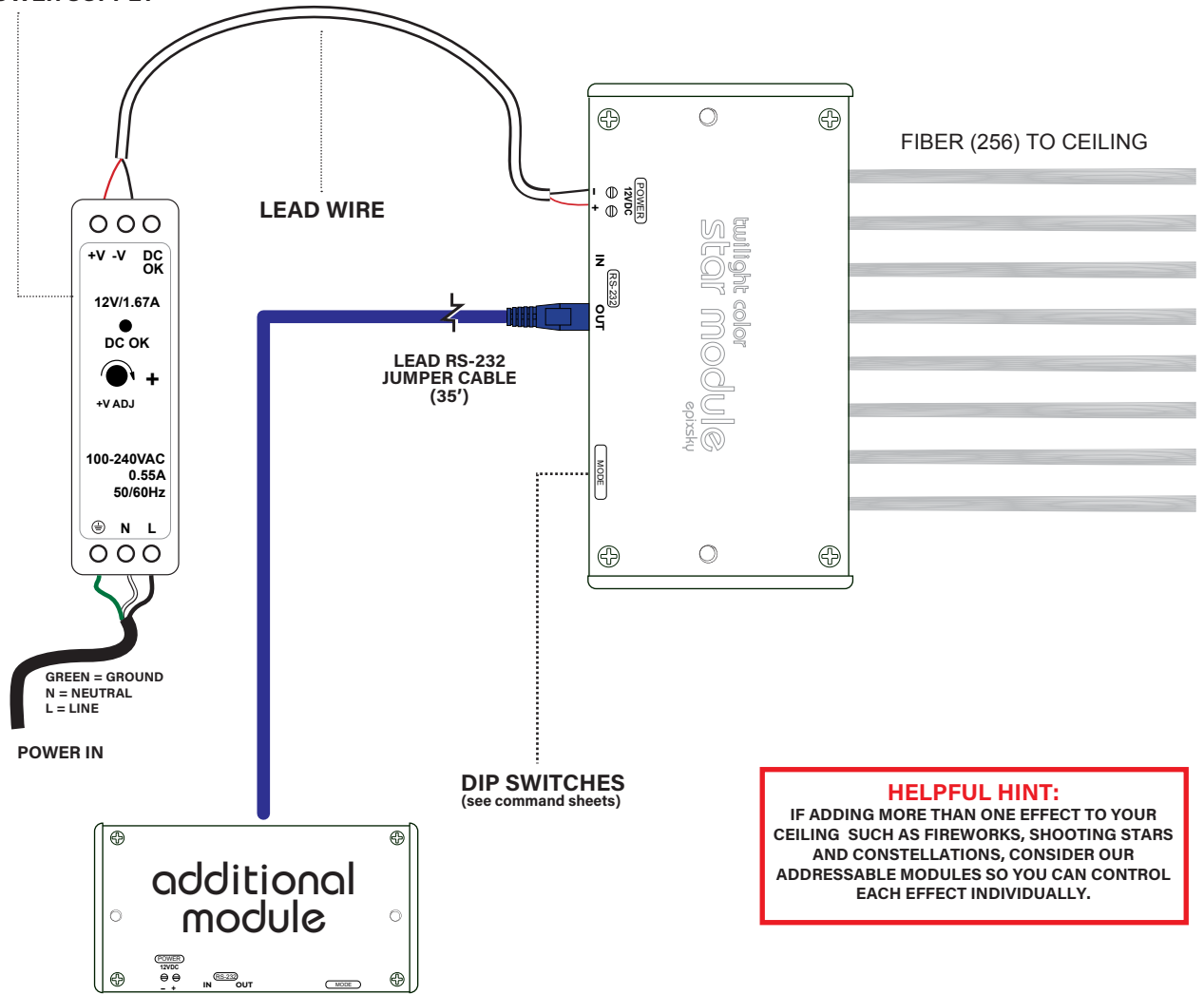
*** ADVANCED USE**
To marry EPIX system with your home automation system, connect our WiFi Interface to your home modem.

TWILIGHT COLOR
STAR MODULE

STAND ALONE USE

WIRING DIAGRAM

12V POWER SUPPLY



GREEN = GROUND
N = NEUTRAL
L = LINE

POWER IN

LEAD WIRE

LEAD RS-232
JUMPER CABLE
(35')

DIP SWITCHES
(see command sheets)

FIBER (256) TO CEILING

HELPFUL HINT:
IF ADDING MORE THAN ONE EFFECT TO YOUR CEILING SUCH AS FIREWORKS, SHOOTING STARS AND CONSTELLATIONS, CONSIDER OUR ADDRESSABLE MODULES SO YOU CAN CONTROL EACH EFFECT INDIVIDUALLY.

**BUILD YOUR UNIVERSE BY ADDING
ADDITIONAL ADDRESSABLE MODULES
FOR THE ULTIMATE IMPACT AND CONTROL!**

SPECIFICATION
ADDRESSOR

INDIVIDUAL UNIVERSE ADDRESS MODULE

| | |
|---------|------|
| PROJECT | DATE |
| TYPE | QTY |



ADDRESSOR

KEY FEATURES:

- 99 different address capability
- 12VDC
- Works with EPic WiFi or 3rd party controllers such as Control 4, Savant, etc...

THE ADDRESSOR ALLOWS YOU TO AUTOMATE EACH AND EVERY EPIX EFFECT YOU HAVE IN YOUR HOME, NO MATTER THE AMOUNT!

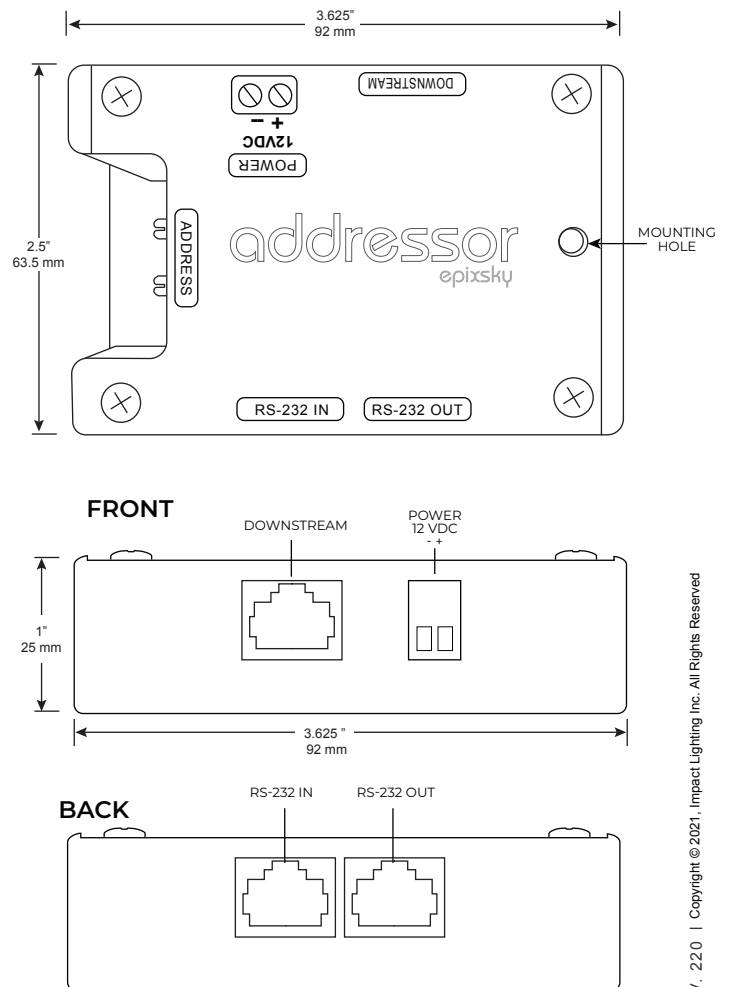
ONLY THE ADDRESSOR GIVES YOU THE FLEXIBILITY TO COMPLETELY CONTROL EACH UNIVERSE IN EACH ROOM



THE EPIX ADDRESSOR the key to designing your custom universe. The Addressor is exclusively for the EPIX star system modules and kits.

Designed for homes with star ceiling and effects in multiple rooms. The addressor allows you to control each room / universe independently.

EG: Turn off the fireworks in the kids bedroom while leaving on the stars on at 50% at bedtime, then turn on the stars and meteor shower in the home theater for a late night movie.



V. 220 | Copyright © 2021, Impact Lighting Inc. All Rights Reserved

ORDERING

MODEL

ADDRESSOR

ADDRESSOR

CAN BE USED IN CONJUNCTION WITH:

- All Epix products
- 3rd party controllers



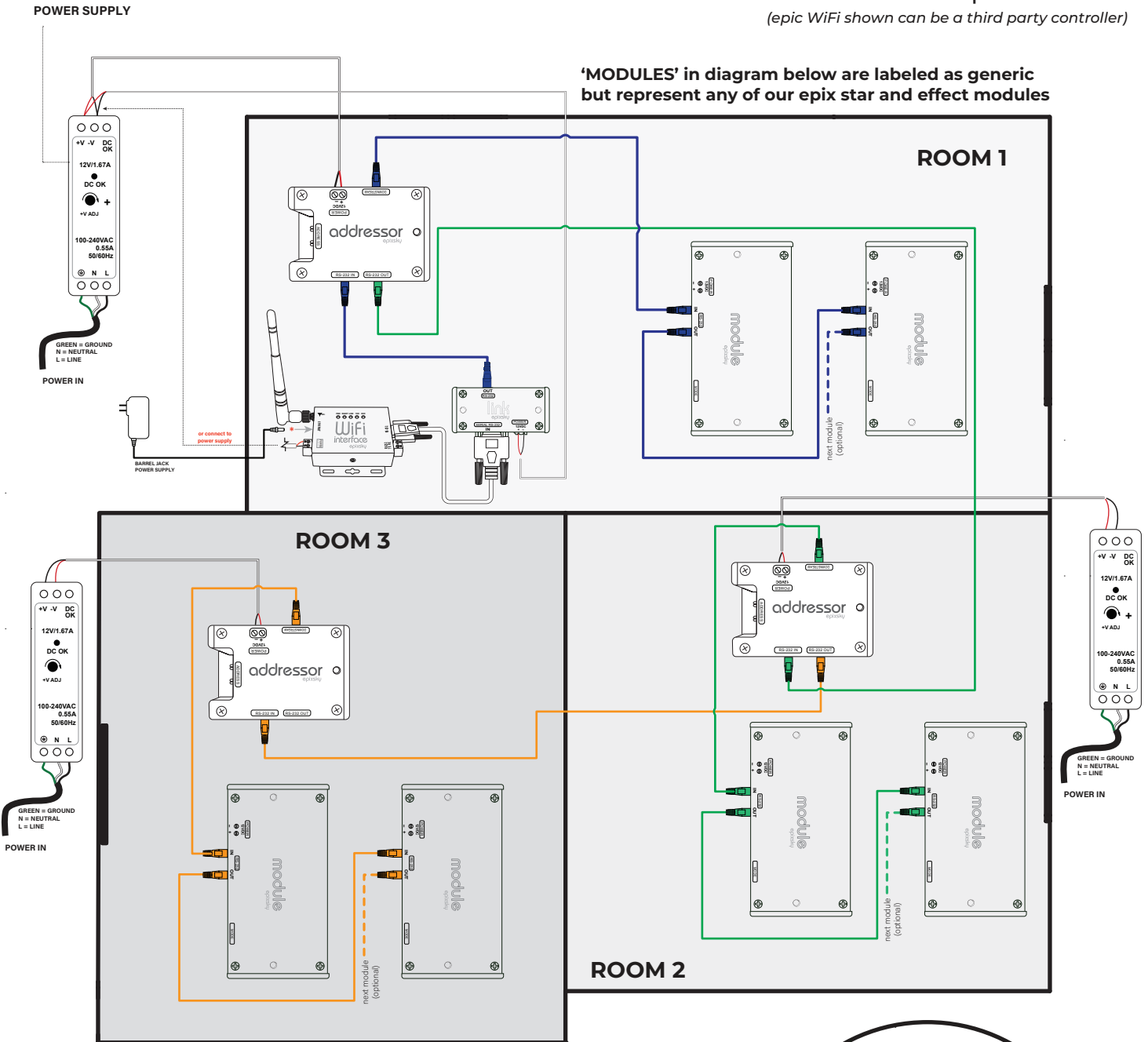
A Division on Impact Lighting Inc.

3100 Pennington Road, Orlando Florida 32804 • Ph. 1-800-507-5714 • Email: sales@epiXsky.com

epiXsky.com

Addressors in separate rooms
(epic WiFi shown can be a third party controller)

'MODULES' in diagram below are labeled as generic but represent any of our epic star and effect modules

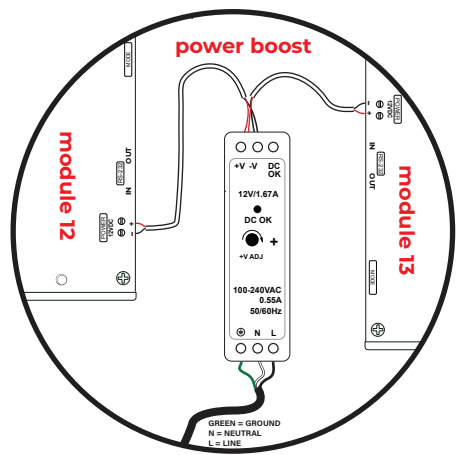


RJ45 Cable colors in this diagram are for differentiation only. You may have multiple modules in one room which will determine which power supply you need. Refer to power supply chart.

POWER SUPPLY CHART

| | |
|------|-----------------|
| 20W | 5-6 modules |
| 40W | 12-13 modules |
| 60W | 19 modules |
| 100W | 32-33 modules |
| 120W | 105-106 modules |

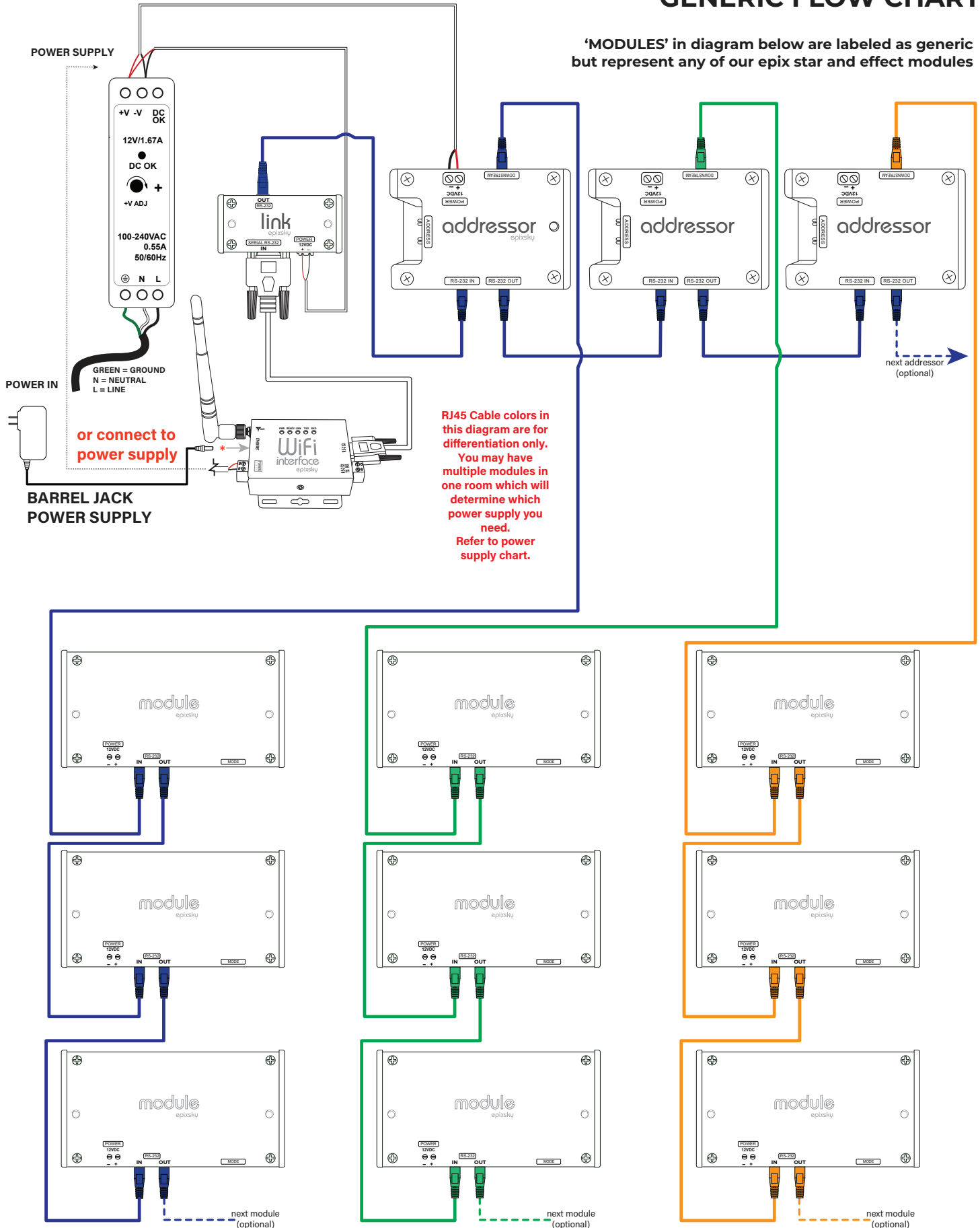
Every 13th module will need a power boost. Use another lead wire and connect from your power supply to the power input on your module.



WIRING DIAGRAM ADDRESSOR

THIRD PARTY CONTROL GENERIC FLOW CHART

'MODULES' in diagram below are labeled as generic but represent any of our epix star and effect modules



RJ45 Cable colors in this diagram are for differentiation only. You may have multiple modules in one room which will determine which power supply you need. Refer to power supply chart.

ADDRESSABLE SHOOTING STAR MODULE

SPECIFICATION

| | |
|---------|------|
| PROJECT | DATE |
| TYPE | QTY |



EpiXsky's **ADDRESSABLE SHOOTING STAR MODULE** creates animated shooting star effects for your star ceiling and is most effective with multiple modules that can be controlled individually to go off randomly timed or manually.

The addressable shooting star module is programmable by dip switch settings, however RS-232 controllers are recommended for more options. (third party such as Centro or Control 4 are compatible with our epix system.)

We suggest using our WiFi Interface & downloading our free EPIX app to control your shooting stars and other EpiX star module features from the app store.

KEY FEATURES:

- 12 VDC Power
- Fiber Port (supports 256 fibers)
- 7 Programs*
- RS-232 Serial Controllable
- Stand Alone Mode – Dip Switch Program
- Optional EpiX WiFi required w/ 3rd Party Control
- Remote Momentary Switch Ready (*Sold Separately*)

* Refer to module control reference sheet

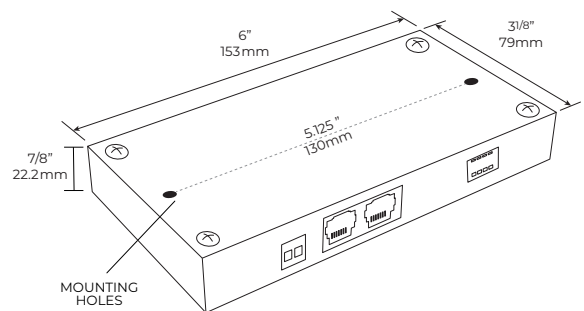
Build your perfect universe by adding multiple shooting stars, fireworks, constellations and meteor showers

BENEFITS:

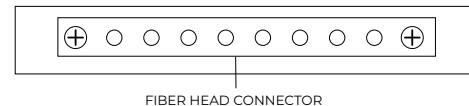
- Digital Electronics
- Compact Design
- Quiet Operation (no fan)
- No Moving Parts!
- Long Life LED's
- Low Wattage



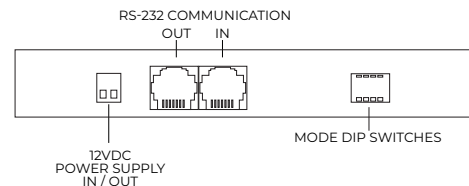
TECHNICAL INFO:



FRONT



BACK



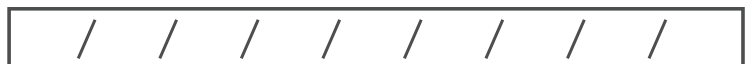
ORDERING

| MODEL | RS-232 CABLE LENGTH | POWER | FIBER HEAD |
|---|---------------------|------------|---------------|
| ASSM | | | |
| Addressable Shooting Star Module w/6 built in Programs | 10 - 10ft | N - none | SHOOTING STAR |
| | 35 - 35ft | 25 - 12W | 1.6 - 1' 6" |
| | | 45 - 45W | 3.6 - 3' 6" |
| | | 60 - 60W | 5.6 - 5' 6" |
| | | 100 - 100W | 10 - 10' |
| | | 150 - 150W | |
| | | 200 - 200W | |
| | | 250 - 250W | |
| | 300 - 300W | | |

See Length Guide for application requirement (page 2)

See Power requirements (page 2)

ADD-ONS



- WiFi** - WiFi Interface (*required for 3rd party control*)(link required w/ WiFi)
- LINK** - Communicator for Wifi Interface (*required for 3rd party control*)
- ADSR** - Addressor (*for multi-room control*)
- RGB Mini** - RGB Mini (*for rgb ambient cove lighting*)
- ADVP** - Advanced-pro (*for rgbw cove lighting and advanced control*)
- DISTBD** - Distribution Board (*streamlines RS-232 communication*)
- RMS** - Remote Momentary Switch (*for simple on/off*)
- DB** - Drill Bits (*2 pack*)
- FG** - Fiber Glue (*adheres fibers to surface*)

V. 2.11 | Copyright © 2021, Impact Lighting Inc. All Rights Reserved

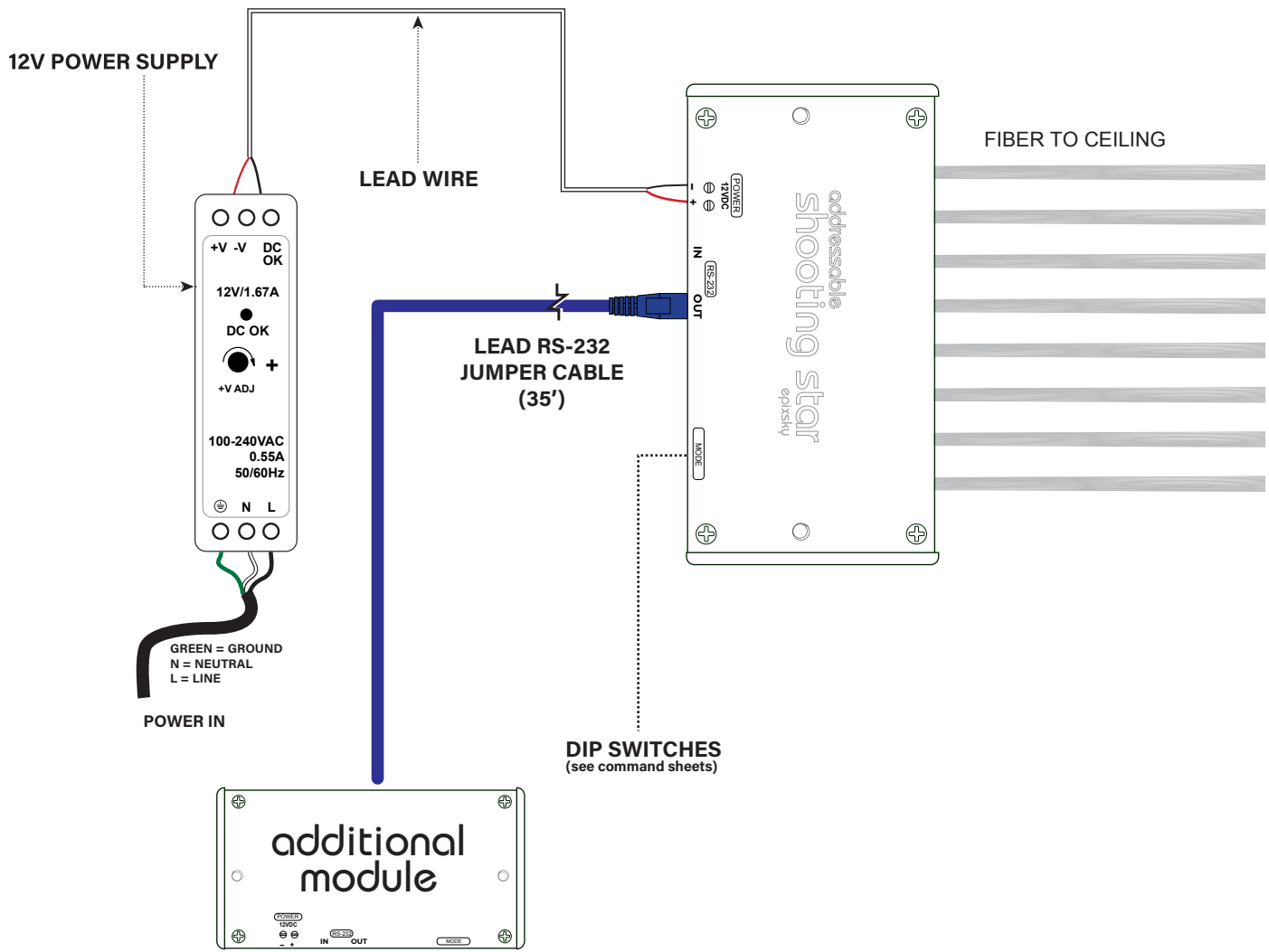


A Division on Impact Lighting Inc.

ADDRESSABLE SHOOTING STAR MODULE

STAND ALONE USE

WIRING DIAGRAM



**BUILD YOUR UNIVERSE BY ADDING
ADDITIONAL ADDRESSABLE MODULES
FOR THE ULTIMATE IMPACT AND CONTROL!**

SHOOTING STAR FIBER LENGTH CHART

| | |
|--------------------|------|
| 2'x2' Panel / Area | 1.6" |
| 2'x4' Panel / Area | 3'6" |
| 4'x4' Panel / Area | 5'6" |
| 4'x8' Panel / Area | 10' |

POWER SUPPLY CHART

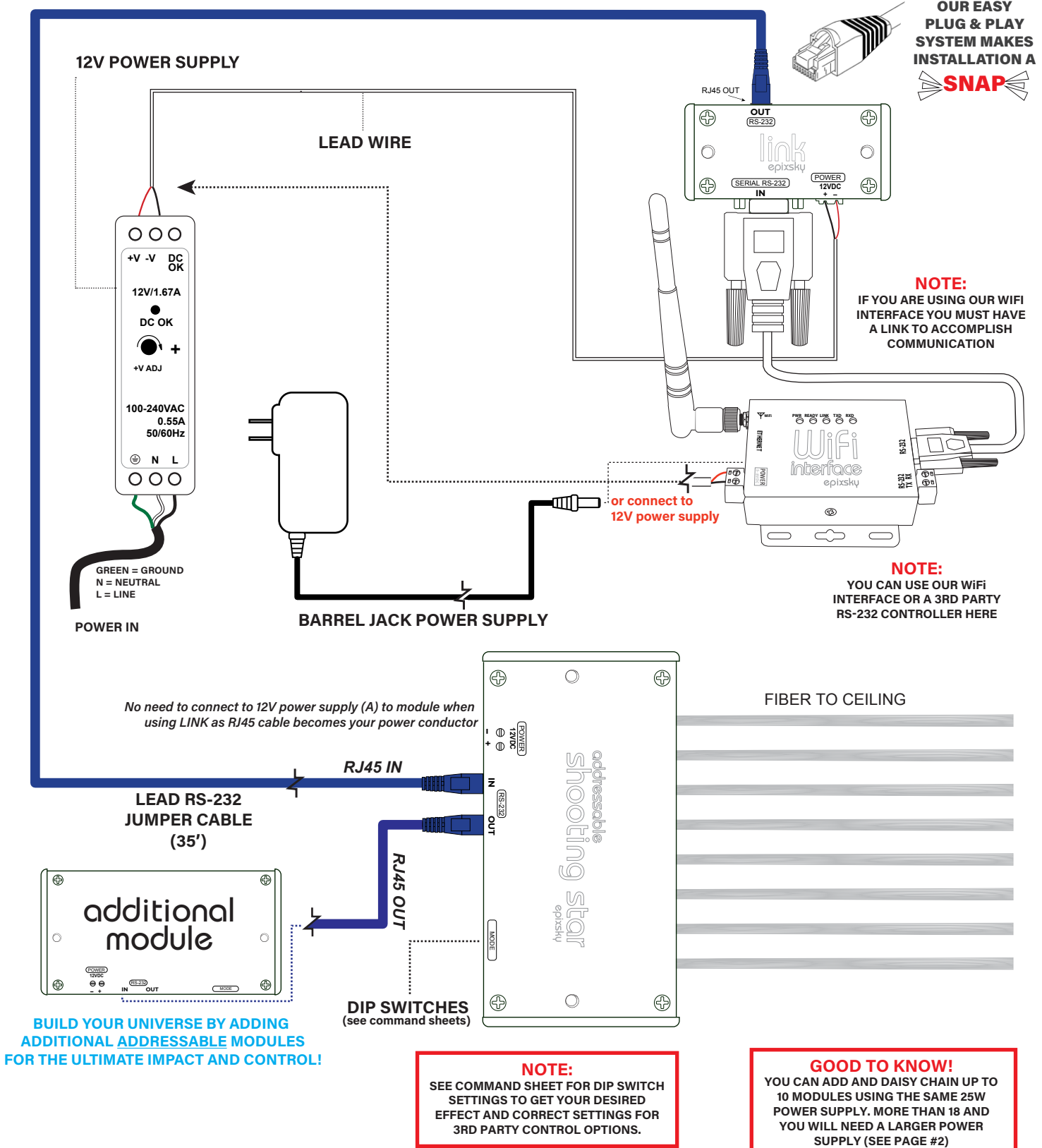
| | |
|------|-----------------|
| 20W | 5-6 modules |
| 40W | 12-13 modules |
| 60W | 19 modules |
| 100W | 32-33 modules |
| 120W | 105-106 modules |

**Every 13th module will need a power boost.
Use another lead wire and connect from your
power supply to the power input on your module.**

ADDRESSABLE SHOOTING STAR MODULE

WIRING DIAGRAM

THIRD PARTY CONTROL



ADDRESSABLE CONSTELLATION MODULE

SPECIFICATION

| | |
|---------|------|
| PROJECT | DATE |
| TYPE | QTY |



EpiXsky's **ADDRESSABLE CONSTELLATION MODULE** creates beautiful twinkling constellations for your star ceiling and is most effective with multiple modules that can be controlled individually to go off randomly, timed or manually.

The addressable constellation module is programmable by dip switch settings, however RS-232 controllers are recommended for more options. (third party such as Centro or Control 4 are compatible with our epix system.)

We suggest using our WiFi Interface & downloading our free EPIX app to control your constellation and other EpiX star module features from the app store.

KEY FEATURES:

- 12 VDC Power
- Fiber Port (supports 256 fibers)
- 7 Programs*
- RS-232 Serial Controllable
- Stand Alone Mode – Dip Switch Program
- Optional EpiX WiFi required w/ 3rd Party Control
- Remote Momentary Switch Ready (*Sold Separately*)

* Refer to module control reference sheet

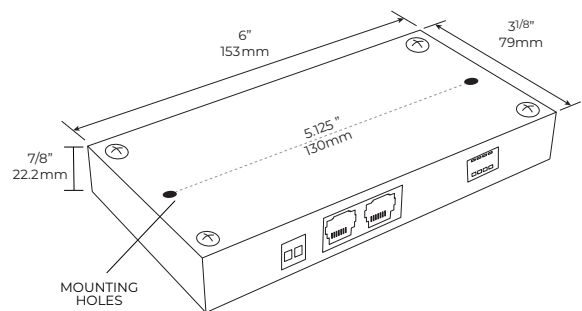
Build your perfect universe by adding multiple shooting stars, fireworks and meteor showers

BENEFITS:

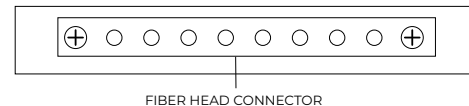
- Digital Electronics
- Compact Design
- Quiet Operation (no fan)
- No Moving Parts!
- Long Life LED's
- Low Wattage



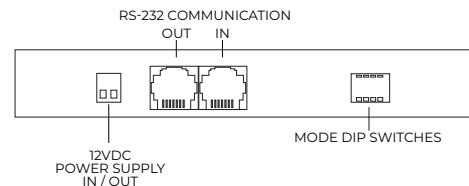
TECHNICAL INFO:



FRONT



BACK



V. 2.11 | Copyright © 2021, Impact Lighting Inc. All Rights Reserved

ORDERING

| MODEL | RS-232 CABLE LENGTH | POWER | FIBER HEAD |
|--|---------------------|---|-------------|
| ASCM | | | |
| Addressable Constellation Module w/4 built in Programs | 10 - 10ft | N - none | FIREWORK |
| | 35 - 35ft | 25 - 12W | 1.6 - 1' 6" |
| | | 45 - 45W | 3.6 - 3' 6" |
| | | 60 - 60W | 5.6 - 5' 6" |
| | | 100 - 100W | 10 - 10' |
| | | 150 - 150W | |
| | | 200 - 200W | |
| | | 250 - 250W | |
| | | 300 - 300W | |
| | | See Length Guide for application requirement (page 2) | |

See Power requirements (page 2)

ADD-ONS



- WiFi** - WiFi Interface (*required for 3rd party control*)(link required w/ WiFi)
- LINK** - Communicator for Wifi Interface (*required for 3rd party control*)
- ADSR** - Addressor (*for multi-room control*)
- RGB Mini** - RGB Mini (*for rgb ambient cove lighting*)
- ADVP** - Advanced-pro (*for rgbw cove lighting and advanced control*)
- DISTBD** - Distribution Board (*streamlines RS-232 communication*)
- RMS** - Remote Momentary Switch (*for simple on/off*)
- DB** - Drill Bits (*2 pack*)
- FG** - Fiber Glue (*adheres fibers to surface*)

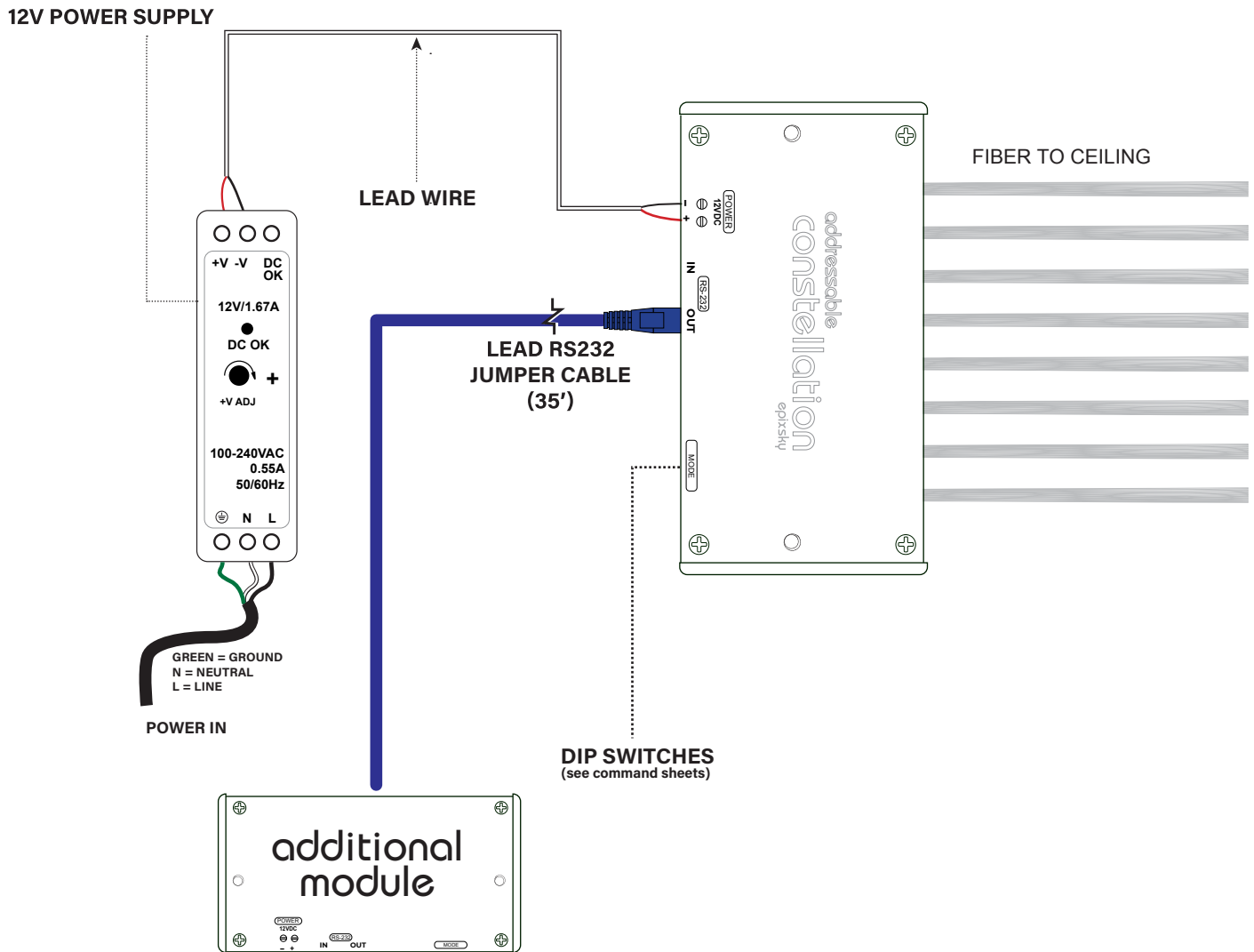


A Division on Impact Lighting Inc.

ADDRESSABLE CONSTELLATION MODULE

STAND ALONE USE

WIRING DIAGRAM



**BUILD YOUR UNIVERSE BY ADDING
ADDITIONAL ADDRESSABLE MODULES
FOR THE ULTIMATE IMPACT AND CONTROL!**

CONSTELLATION FIBER LENGTH CHART

| | |
|--------------------|------|
| 2'x2' Panel / Area | 1.6" |
| 2'x4' Panel / Area | 3'6" |
| 4'x4' Panel / Area | 5'6" |
| 4'x8' Panel / Area | 10' |

POWER SUPPLY CHART

| | |
|------|-----------------|
| 20W | 5-6 modules |
| 40W | 12-13 modules |
| 60W | 19 modules |
| 100W | 32-33 modules |
| 120W | 105-106 modules |

Every 13th module will need a power boost.
Use another lead wire and connect from your
power supply to the power input on your module.

