

# SPECIFICATION

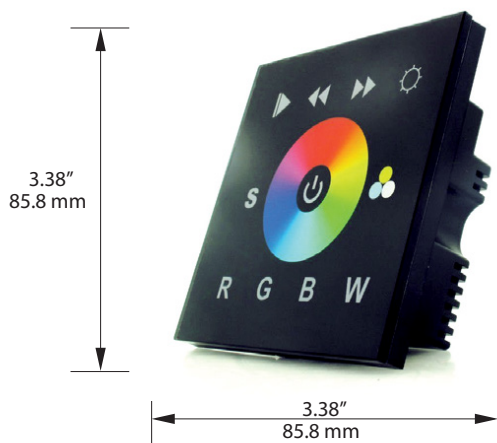
## ES-DMX-RGB-2811

PROJECT	DATE
TYPE	QTY



TOUCH SENSITIVE INTELLIGENT CONTROL KEYPAD

**INTELLIGENT SERIES**



ES-DMX-RGB-2811

### DESCRIPTION:

EP-DMX-RGB-2811 DMX full touch panel wall switch is DMX signal output to connect DMX decoders. It is of high sensitive glass touch panel, comes in black or white. Suitable for any RGB or RGBW LED lighting application projects for home, theaters, clubs, restaurants, etc.

Can be used with 12/24V LED lights such as LED strip light, LED underwater lights and LED in-ground lights via RGB-DMX Decoder series (sold separately).

### SPECIFICATIONS:

- 12-24V DC
- DMX512 signal
- 3.38in x 3.38in x 1.37in

### FEATURES:

- 12V/24V DC DMX controller
- DMX512 signal & PWM 1-10V are available.
- High sensitive glass touch panel touch color wheel, fast & precise color control.
- Controls RGBW or RGBY, 4 colors that achieve more selectable colors than traditional RGB control.
- 10 changing modes. Enable to stay at any color under situation of color changing modes.
- Adjustable changing speed with 8 levels, quickest speed is 4 S, slowest speed is 256 S.
- To adjust brightness of each color independently that can achieve millions of changing colors.
- Standard DMX signal output that is compatible with DMX512 decoders from different manufacturers.
- Suitable for standard 85mm x 85mm back-boxes (not included). Easily mounted on wall.

## ORDERING

### MODEL

ES-DMX-RGB-2811

Stand alone  
wall-mounted  
DMX controller

epiXsky

A Division on Impact Lighting Inc.

3100 Pennington Road, Orlando Florida 32804 • Ph. 1-800-507-5714 • Email: sales@epiXsky.com

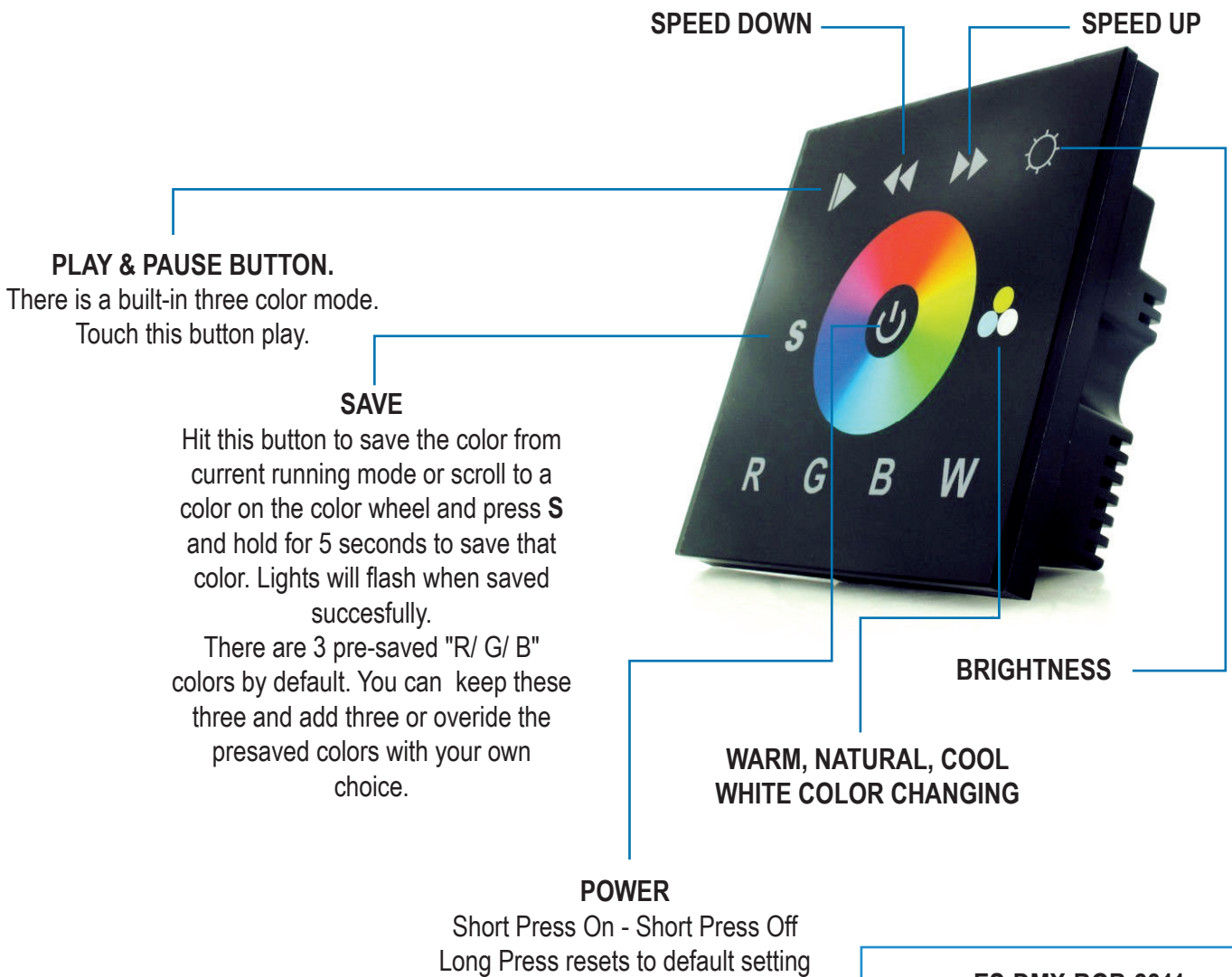
epiXsky.com

CONTROLS COLOR OUTPUT

ES-DMX-RGB-2811 DMX full touch panel wall switch with DMX signal output to connect DMX decoders. Made of high sensitive glass touch panel and comes in black or white. Suitable for any RGB or RGBW LED lighting application projects for home, theaters, clubs, restaurants, etc.

Can be used with 12/24V LED lights such as LED strip light, LED underwater lights & LED in-ground lights via RGB-DMX Decoder series (sold seperately).

Operating Instructions:



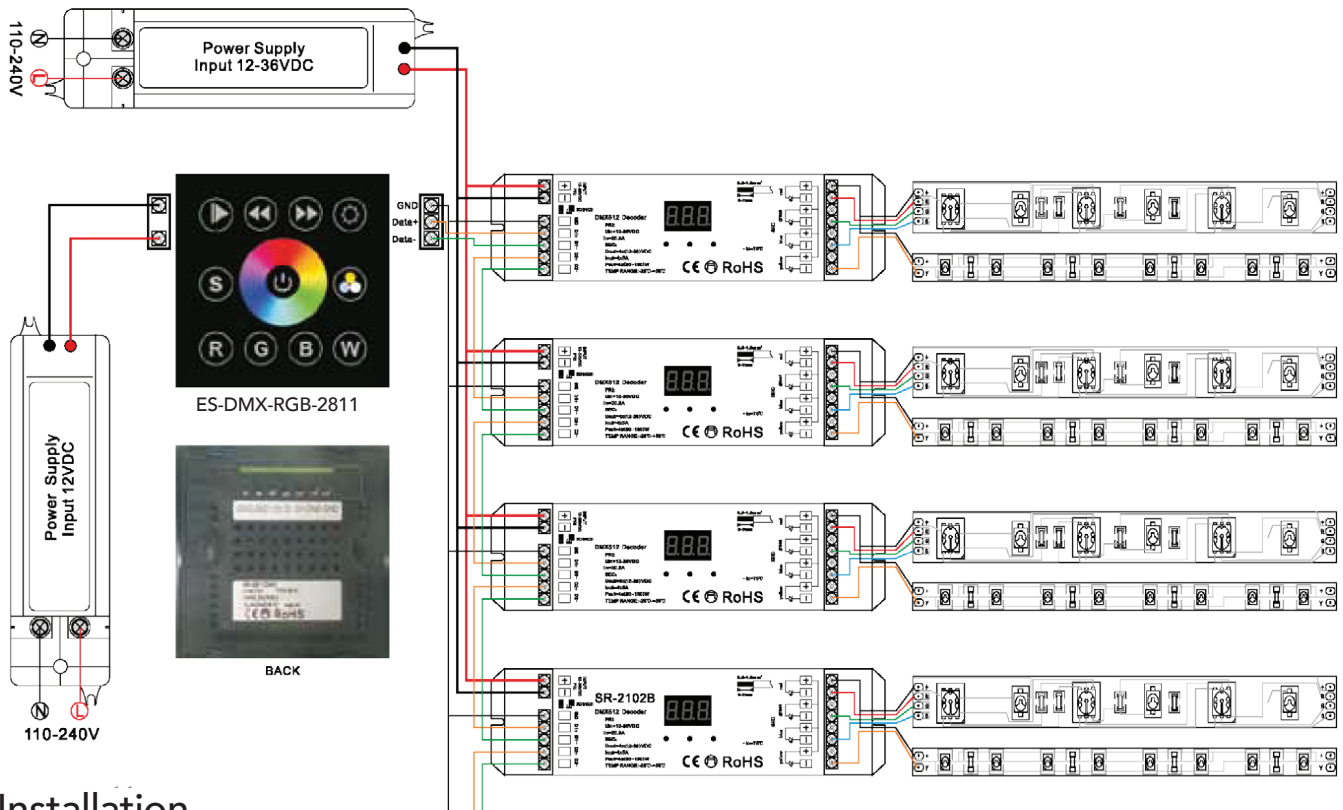
Short press means switch on and off for each channel.

1st Long press means brightness+,  
2nd Long press means brightness-.

At the corner of the panel there is a signal light,  
Blue means on, Red means off

**ES-DMX-RGB-2811**  
can send data from 1 to 40.  
Data 1 is R channel.  
Data 2 is G channel.  
Data 3 is the B channel.  
Data 4 is the W channel.  
All this DMX decoder needs  
4 address as a group:  
such as 1-4, 5-8, 9-12, 13-16, 17-20,  
21-24, 25-28, 29-32, 33-36, 37-40.

# Wiring Diagram



# Installation

