

TWILIGHT WHITE STAR MODULE

SPECIFICATION

PROJECT	DATE
TYPE	QTY



EpiXsky's **TWILIGHT WHITE STAR MODULE** is designed to be a star kit or a custom effect kit.

With this module you can create a simple and beautiful star field or a constellation, a shooting star or a meteor shower.

These are programmable by dip switch settings, RS-232 third party controllers such as Centro or Control 4.

We suggest downloading our free EPIX app from the app store.

KEY FEATURES:

- 12 VDC Power
- Fiber Port (supports 256 fibers)
- 6 Programs*
- RS-232 Serial Controllable
- Stand Alone Mode – Dip Switch Program
- Optional EpiX WiFi required w/ 3rd Party Control
- Remote Momentary Switch Ready (*Sold Separately*)

* Refer to module control reference sheet

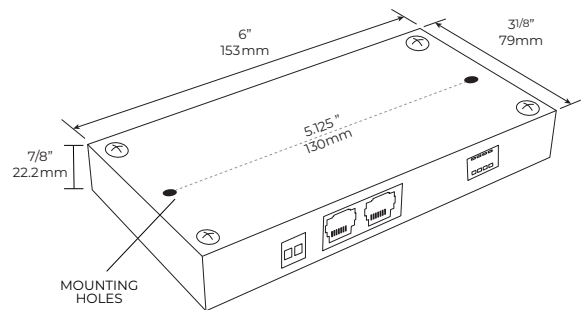
If you plan to have more than one effect, we suggest our addressable modules so you can control each effect separately.

BENEFITS:

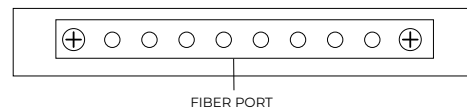
- Digital Electronics
- Compact Design
- Quiet Operation (no fan)
- No Moving Parts!
- Long Life LED's
- Low Wattage



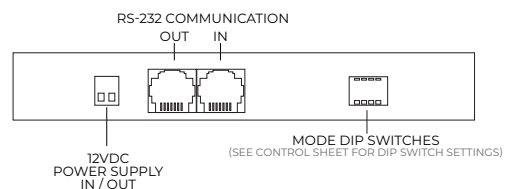
TECHNICAL INFO:



FRONT



BACK



ORDERING

MODEL	RS-232 CABLE LENGTH	POWER	FIBER HEAD
TWSM			
White Stars, Shooting Star, Constellation, or Meteor Shower Module with built in programs	10 - 10ft	N - none	1.6 - 1' 6"
	35 - 35ft	20 - 20W	3.6 - 3' 6"
		40 - 40W	5.6 - 5' 6"
		60 - 60W	10 - 10'
		100 - 100W	
		150 - 150W	
	320 - 320W		

See Length Guide for application requirement (page 2)

See Power requirements (page 2)

ADD-ONS



- WiFi** - WiFi Interface (*required for 3rd party control*)(link required w/ WiFi)
- LINK** - Communicator for Wifi Interface (*required for 3rd party control*)
- ADSR** - Addressor (*for multi-room control*)
- RGB Mini** - RGB Mini (*for rgb ambient cove lighting*)
- ADVP** - Advanced-pro (*for rgbw cove lighting and advanced control*)
- DISTBD**- Distribution Board (*streamlines RS-232 communication*)
- RMS** - Remote Momentary Switch (*for simple on/off*)
- DB** - Drill Bits (*2 pack*)
- FG** - Fiber Glue (*adheres fibers to surface*)

V. 2.11 | Copyright © 2021, Impact Lighting Inc. All Rights Reserved



A Division on Impact Lighting Inc.

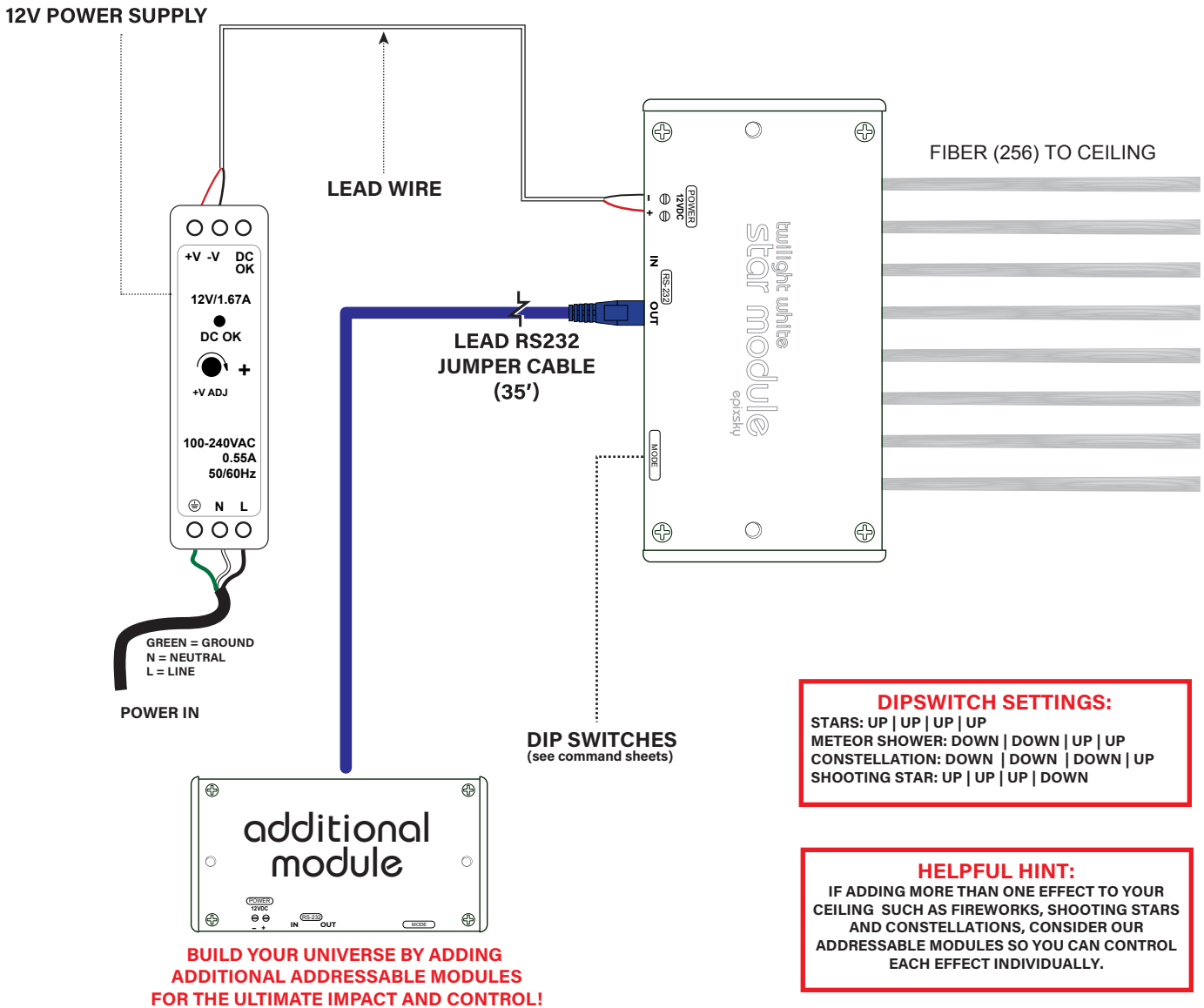
3080 Lenworth Drive • Mississauga, ON L4X 2G1 • Email: sales@epixsky.ca

epixsky.ca

TWILIGHT WHITE STAR MODULE

STAND ALONE USE

WIRING DIAGRAM



STARS FIBER LENGTH CHART	
2'x2' Panel / Area	1.6"
2'x4' Panel / Area	3'6"
4'x4' Panel / Area	5'6"
4'x8' Panel / Area	10'

POWER SUPPLY CHART	
20W	5-6 modules
40W	12-13 modules
60W	19 modules
100W	32-33 modules
150W	105-106 modules

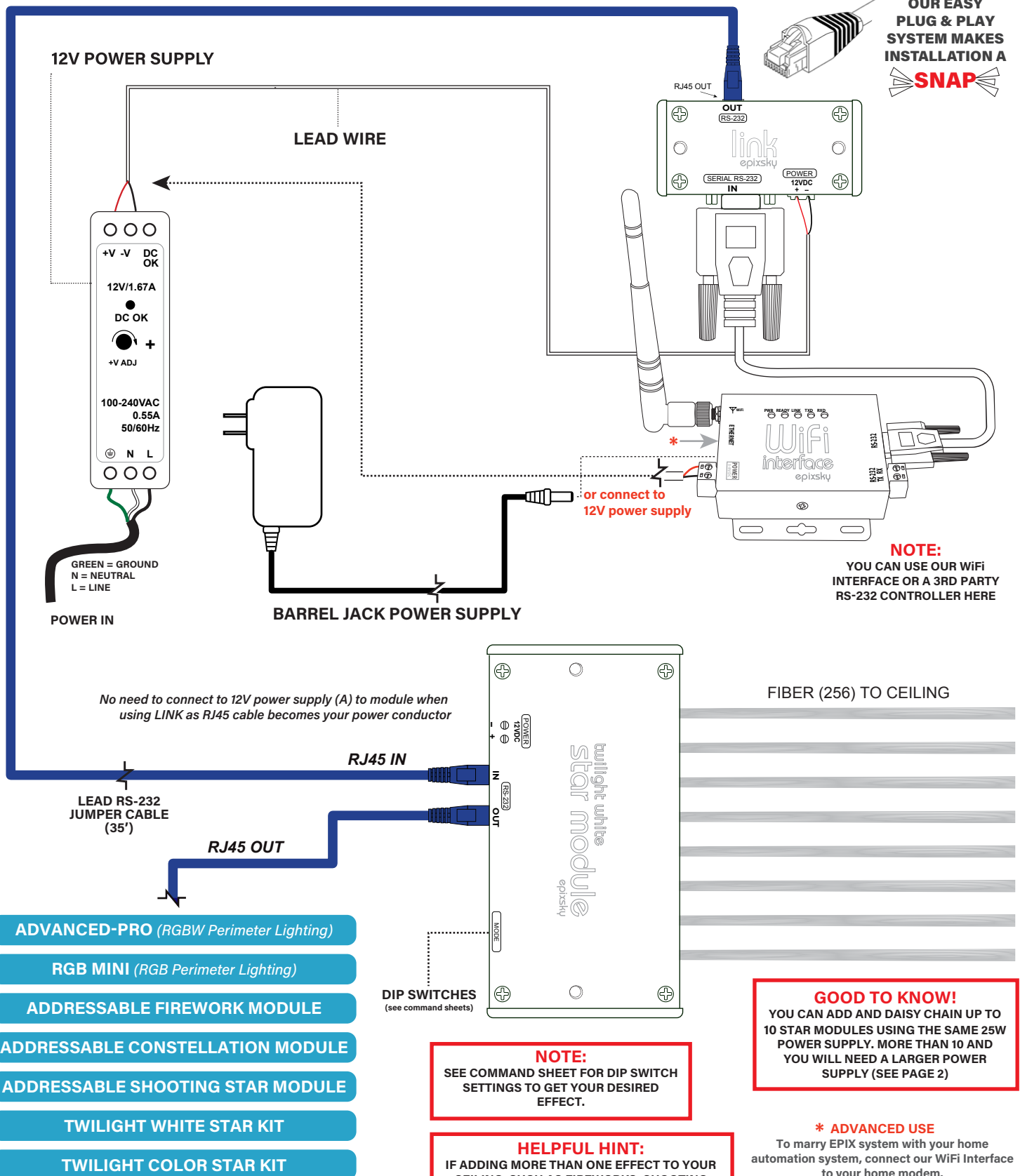
Every 13th module will need a power boost.
 Use another lead wire and connect from your power supply to the power input on your module.

TWILIGHT WHITE STAR MODULE

WIRING DIAGRAM

THIRD PARTY CONTROL

OUR EASY
PLUG & PLAY
SYSTEM MAKES
INSTALLATION A
SNAP



BUILD YOUR UNIVERSE BY CONNECTING
ADDITIONAL MODULES, CONTROLLERS, & ACCESSORIES.
EPIXSKY ALLOWS YOU TO EXPAND YOUR STAR SYSTEM WITH
RJ45 PORTS FOR THE ULTIMATE SIMPLICITY AND CONTROL!

NOTE:
SEE COMMAND SHEET FOR DIP SWITCH
SETTINGS TO GET YOUR DESIRED
EFFECT.

HELPFUL HINT:
IF ADDING MORE THAN ONE EFFECT TO YOUR
CEILING SUCH AS FIREWORKS, SHOOTING
STARS AND CONSTELLATIONS, CONSIDER OUR
ADDRESSABLE MODULES SO YOU CAN
CONTROL EACH EFFECT INDIVIDUALLY.

GOOD TO KNOW!
YOU CAN ADD AND DAISY CHAIN UP TO
10 STAR MODULES USING THE SAME 25W
POWER SUPPLY. MORE THAN 10 AND
YOU WILL NEED A LARGER POWER
SUPPLY (SEE PAGE 2)

*** ADVANCED USE**
To marry EPIX system with your home
automation system, connect our WiFi Interface
to your home modem.